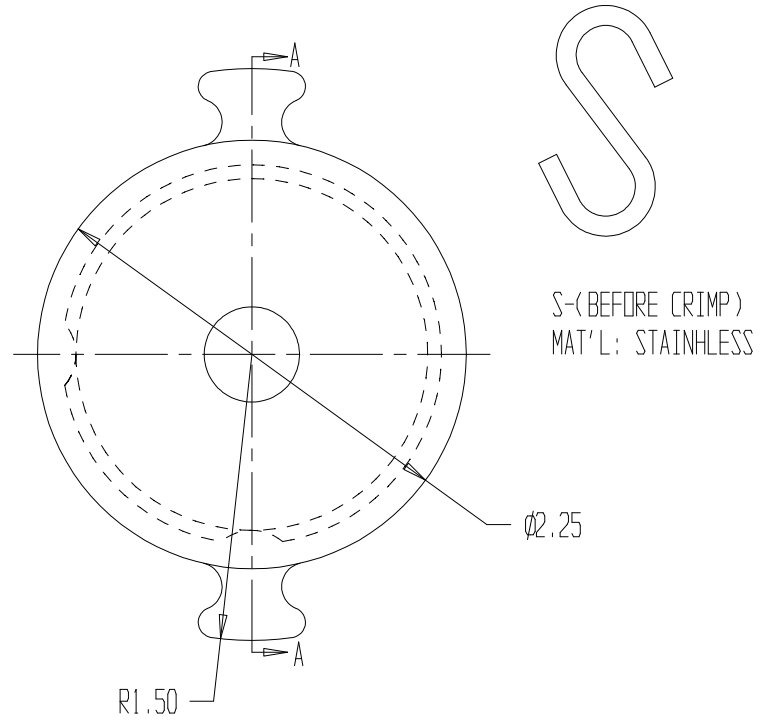
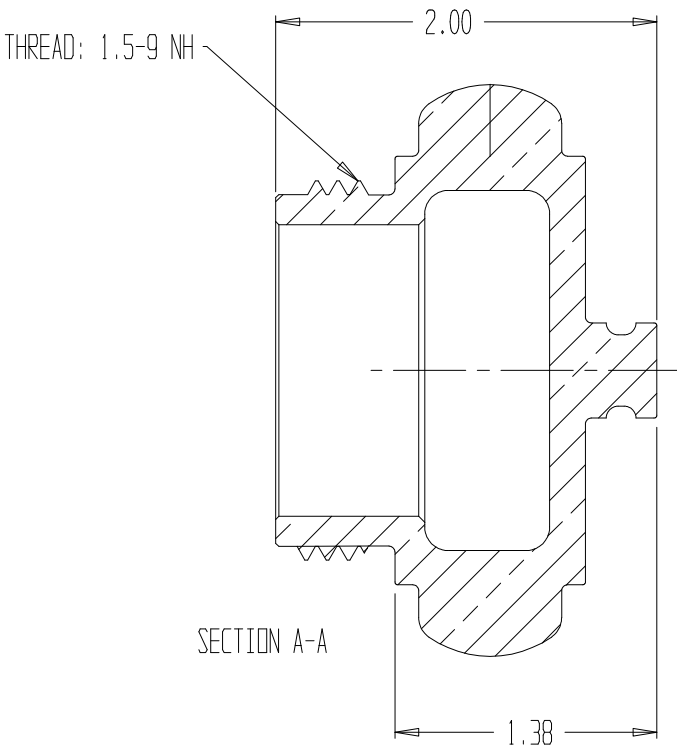


REVISIONS				
REV	DESCRIPTION	DATE	DRAWN BY	APPROVED



NOTES:

- 1) CHROME PLATED
- 2) MATERIAL: BRASS
- 3) 12"LG STAINLESS VINYL COATED CABLE INCLUDED IN ASSEMBLY, BUT NOT SHOWN.

U.S. PATENT # 7,416,223



PLUG, 1-1/2 NH (CHROME)

REPORT ERRORS & CHANGES
REMOVE ALL SHARP EDGES
UNLESS OTHERWISE SPECIFIED
ALL DIMENSIONS ARE IN INCHES

STANDARD TOLERANCES:

DECIMALS	ANGLES
.XX ± .030	± 1/2°
.XXX ± .015	

COPYRIGHT © DRAWING NOT TO BE REPRODUCED OR USED TO MAKE OTHER DRAWINGS OR MACHINERY		SIZE A	DWG NO.	01.048.10PC	REV .
DRAWN BY MS	CHECKED BY MS	DATE 06/04/2002	SCALE 1:1	SHEET 1 OF 1	