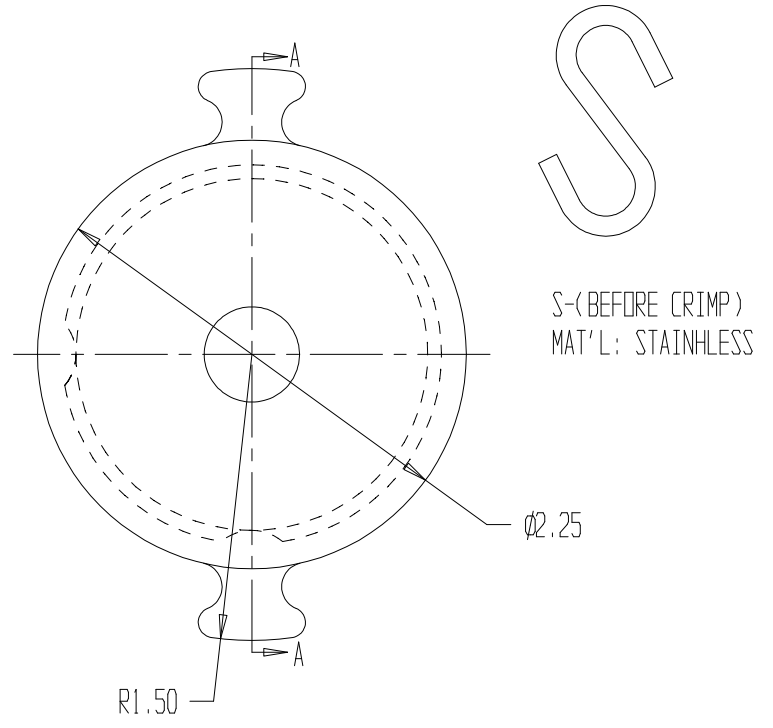
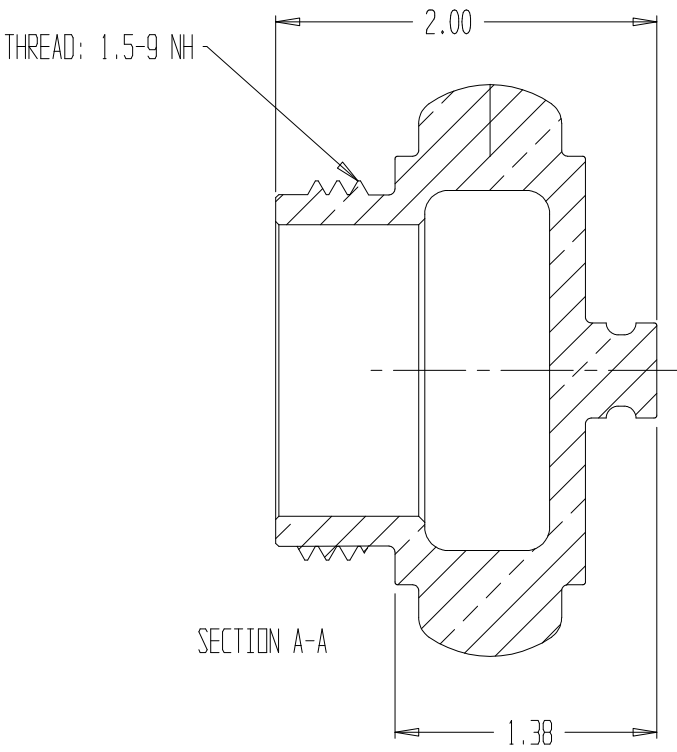


REVISIONS				
REV	DESCRIPTION	DATE	DRAWN BY	APPROVED
.
.



NOTES:

- 1) CHROME PLATED
 - 2) MATERIAL: BRASS
 - 3) 12"L X .250"Ø BALL BEAD CHAIN INCLUDED IN ASSEMBLY, BUT NOT SHOWN (CHROME PLATED BRASS)
- U.S. PATENT # 7,416,223



PLUG, 1-1/2 NH (CHROME)

REPORT ERRORS & CHANGES
REMOVE ALL SHARP EDGES
UNLESS OTHERWISE SPECIFIED
ALL DIMENSIONS ARE IN INCHES

STANDARD TOLERANCES:

DECIMALS	ANGLES
.XX ± .030	± 1/2°
.XXX ± .015	

DRAWING NOT TO BE REPRODUCED OR USED TO MAKE OTHER DRAWINGS OR MACHINERY		COPYRIGHT ©	SIZE A	DWG NO.	REV
DRAWN BY	MS	DATE 06/04/2002	SCALE 1:1	01.048.0PC	.
CHECKED BY	MS				
				SHEET 1 OF 1	