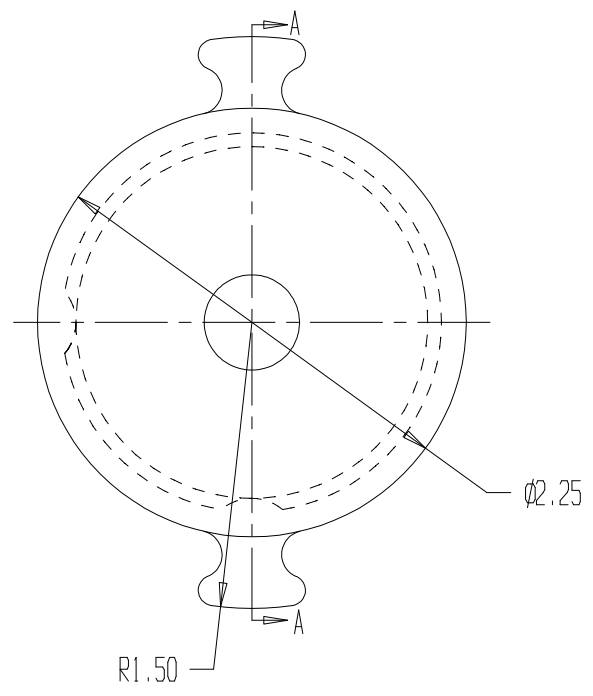
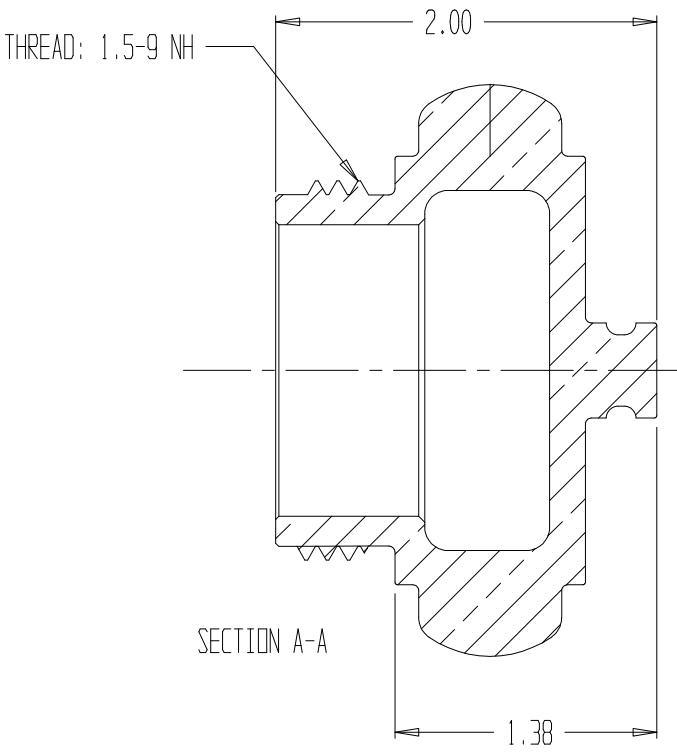


REVISIONS				
REV	DESCRIPTION	DATE	DRAWN BY	APPROVED
.
.



NOTES:

- 1) CHROME PLATED
- 2) MATERIAL: BRASS



PLUG, 1-1/2 NH (CHROME)

REPORT ERRORS & CHANGES
 REMOVE ALL SHARP EDGES
 UNLESS OTHERWISE SPECIFIED
 ALL DIMENSIONS ARE IN INCHES

STANDARD TOLERANCES:

DECIMALS	ANGLES
.XX ± .030	± 1/2°
.XXX ± .015	

COPYRIGHT © DRAWING NOT TO BE REPRODUCED OR USED TO MAKE OTHER DRAWINGS OR MACHINERY		SIZE A	DWG NO.	01.048.2PC	REV .
DRAWN BY MS	CHECKED BY MS	DATE 04-05-2011	SCALE 1:1	SHEET 1 OF 1	