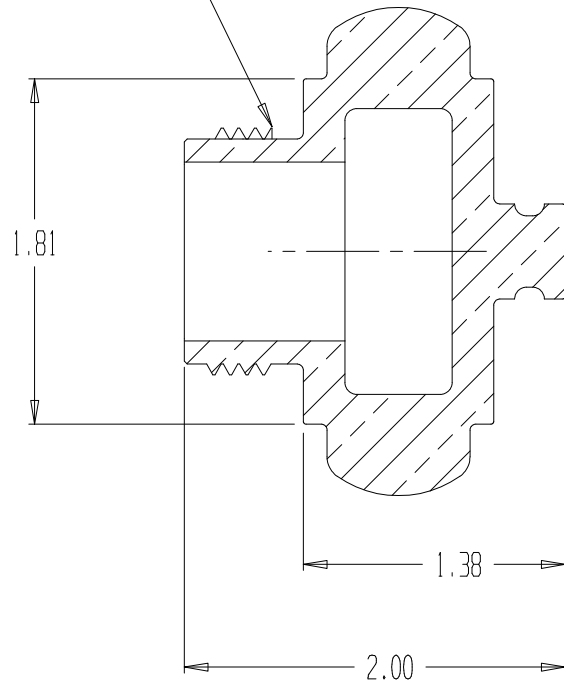
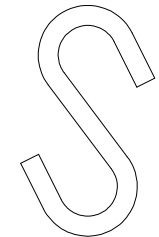
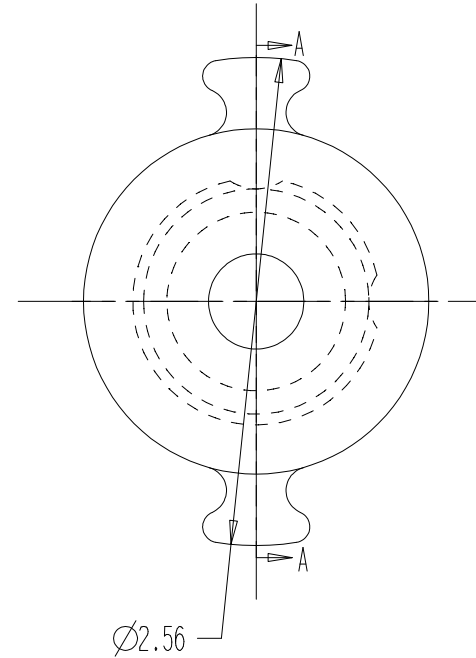


REVISIONS				
REV	DESCRIPTION	DATE	DRAWN BY	APPROVED
.
.

THREAD: 1-8 NH (FIRE HOSE THD)



SECTION A-A



S-HOOK DETAIL
(BEFORE CRIMP)
MAT'L: STAINLESS.

NOTES:

- 1) CHROME PLATED
- 2) MATERIAL: BRASS
- 3) 12" L X .250" Ø BALL BEAD CHAIN INCLUDED IN ASSEMBLY, NOT SHOWN (PLATED BRASS)



PLUG, 1 NH (CHROME)

REPORT ERRORS & CHANGES
REMOVE ALL SHARP EDGES
UNLESS OTHERWISE SPECIFIED
ALL DIMENSIONS ARE IN INCHES

STANDARD TOLERANCES:
DECIMALS .XX ± .030
 .XXX ± .015
ANGLES ± 1/2°

COPYRIGHT ©
DRAWING NOT TO BE REPRODUCED OR USED TO
MAKE OTHER DRAWINGS OR MACHINERY

DRAWN BY	MS	DATE	11/04/2008
CHECKED BY	MS		

SIZE	A	DWG NO.	01.103.0PC	REV	.
SCALE	1:1	SHEET	1 OF 1		