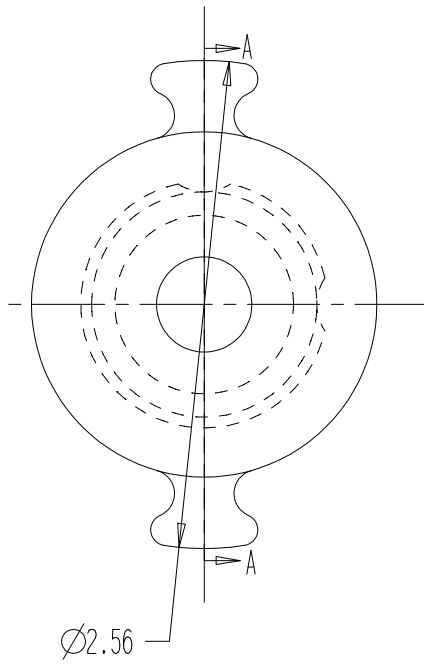
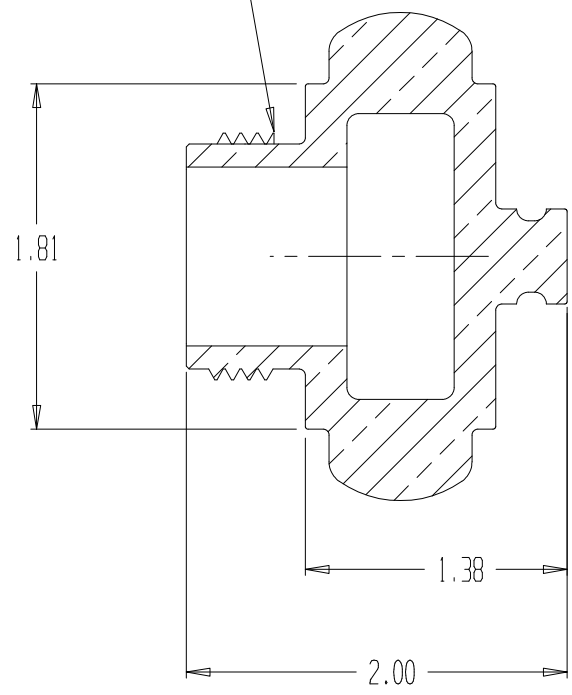


REVISIONS				
REV	DESCRIPTION	DATE	DRAWN BY	APPROVED
.
.

THREAD: 1-8 NH (FIRE HOSE THD)



NOTES:

- 1) CHROME PLATED
- 2) MATERIAL: BRASS

SECTION A-A



PLUG, 1 NH (CHROME)

REPORT ERRORS & CHANGES
 REMOVE ALL SHARP EDGES
 UNLESS OTHERWISE SPECIFIED
 ALL DIMENSIONS ARE IN INCHES

STANDARD TOLERANCES:

DECIMALS	ANGLES
.XX ± .030	± 1/2°
.XXX ± .015	

COPYRIGHT ©
 DRAWING NOT TO BE REPRODUCED OR USED TO
 MAKE OTHER DRAWINGS OR MACHINERY

DRAWN BY	MS	DATE 11/04/2008
CHECKED BY	MS	

SIZE A	DWG NO. 01.103.2PC	REV .
SCALE 1:1	SHEET 1 OF 1	