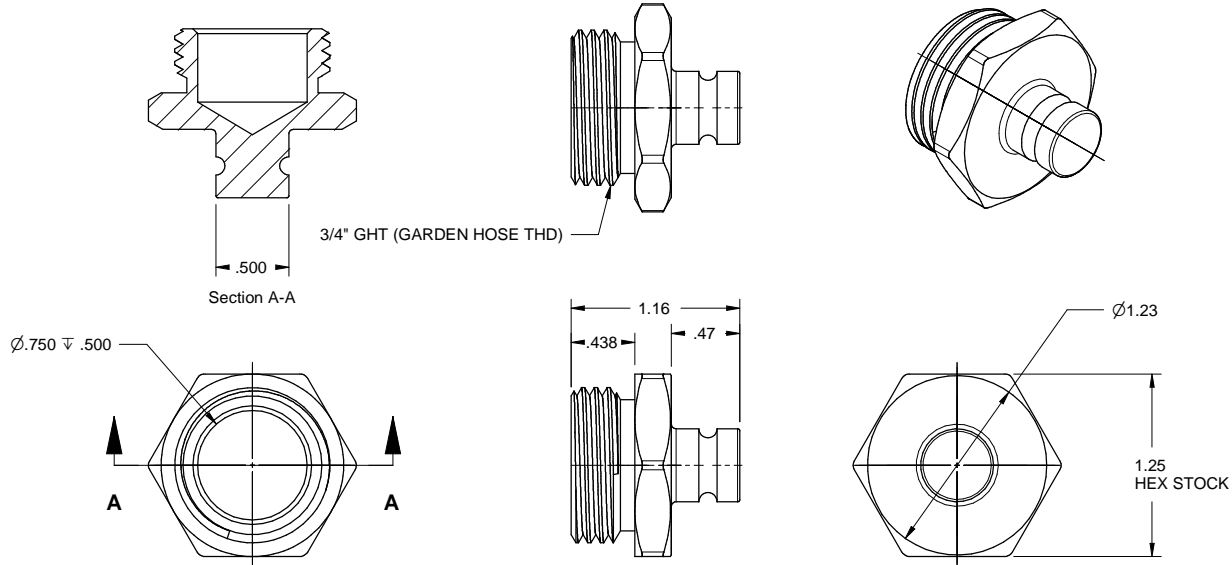


NOTES:

- 1. MATERIAL - BRASS
- 2. CHROME PLATED

REVISIONS				
ZONE	REV	DESCRIPTION	DATE	APPROVED



Volume = .49 in³
 Mass = .069 kg
 Surface Area = .79 in²

REMOVE ALL SHARP EDGES ALL DIMENSIONS ARE INCHES STANDARD TOLERANCES: .XX +/- .015 .XXX +/- .005 ANGLES +/- .5°	DRAWN MS	DATE 03/22/2010	TRIDENT EMERGENCY PRODUCTS, LLC <i>"Tomorrow's Ideas Delivered Today"</i>		
	CHECKED				PLUG, 3/4" GHT, CP, NO CHAIN
	QA		SIZE A	FSCM NO.	
COPYRIGHT © DRAWING NOT TO BE REPRODUCED OR USED TO MAKE OTHER DRAWINGS OR MACHINERY	MFG		SCALE 1:1	SHEET 1:1	