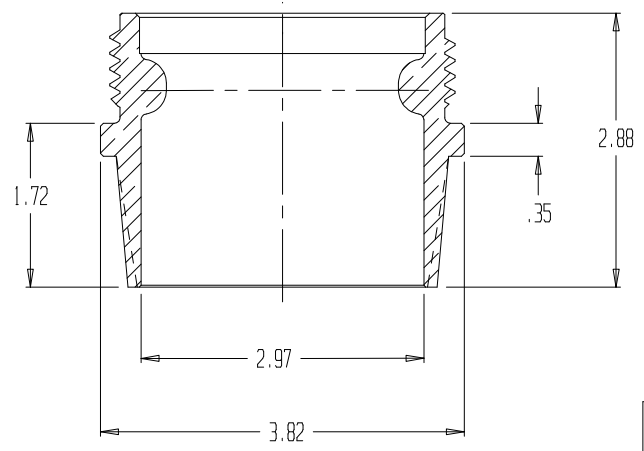
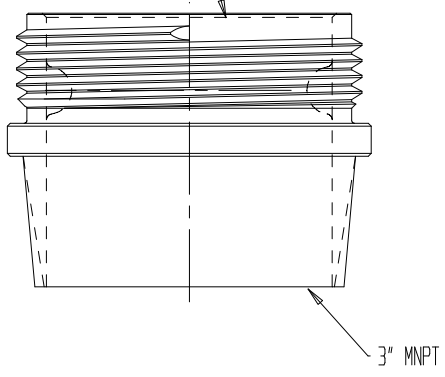


REVISIONS				
REV	DESCRIPTION	DATE	DRAWN BY	APPROVED



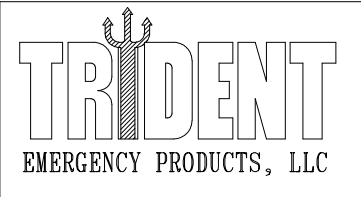
THREAD: 3-6 NH (FIRE HOSE THD)



NOTES:

- 1) CHROME PLATED
- 2) MATERIAL: BRASS

SECTION A-A



ADAPTER-3" MNHX3" MNPT, PLTD

REPORT ERRORS & CHANGES  
 REMOVE ALL SHARP EDGES  
 UNLESS OTHERWISE SPECIFIED  
 ALL DIMENSIONS ARE IN INCHES

STANDARD TOLERANCES:

DECIMALS	ANGLES
.XX ± .030	± 1/2°
.XXX ± .015	

DRAWING NOT TO BE REPRODUCED OR USED TO MAKE OTHER DRAWINGS OR MACHINERY		COPYRIGHT ©	SIZE	DWG NO.	REV
DRAWN BY	MS	DATE 01/02/2003	A	01.090.0PC	.
CHECKED BY	MS	SCALE 1:2	SHEET 1 OF 1		