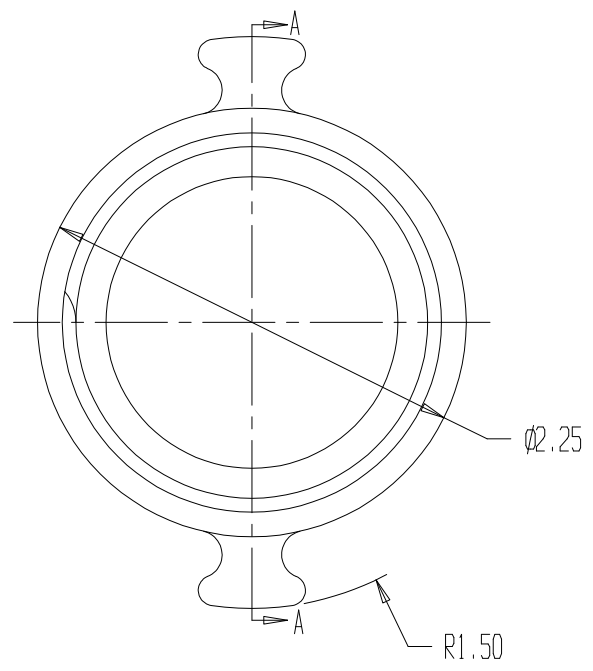
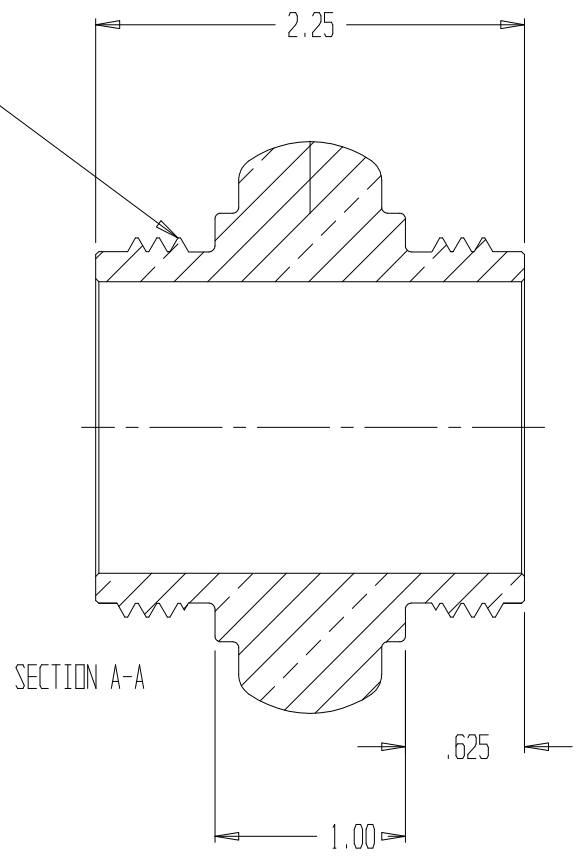


REVISIONS				
REV	DESCRIPTION	DATE	DRAWN BY	APPROVED

THREAD: 1.5-9 NH (TYP)



NOTES:

- 1) CHROME PLATED
- 2) MATERIAL: BRASS



ADAPTER, 1.5MNH x 1.5MNH

REPORT ERRORS & CHANGES  
 REMOVE ALL SHARP EDGES  
 UNLESS OTHERWISE SPECIFIED  
 ALL DIMENSIONS ARE IN INCHES

STANDARD TOLERANCES:

DECIMALS	ANGLES
.XX ± .030	± 1/2°
.XXX ± .015	

DRAWING NOT TO BE REPRODUCED OR USED TO MAKE OTHER DRAWINGS OR MACHINERY		COPYRIGHT ©	SIZE	DWG NO.	REV
DRAWN BY	MS	DATE 10/04/2002	A	01.062.0PC	.
CHECKED BY	MS	SCALE 1:1		SHEET 1 OF 1	