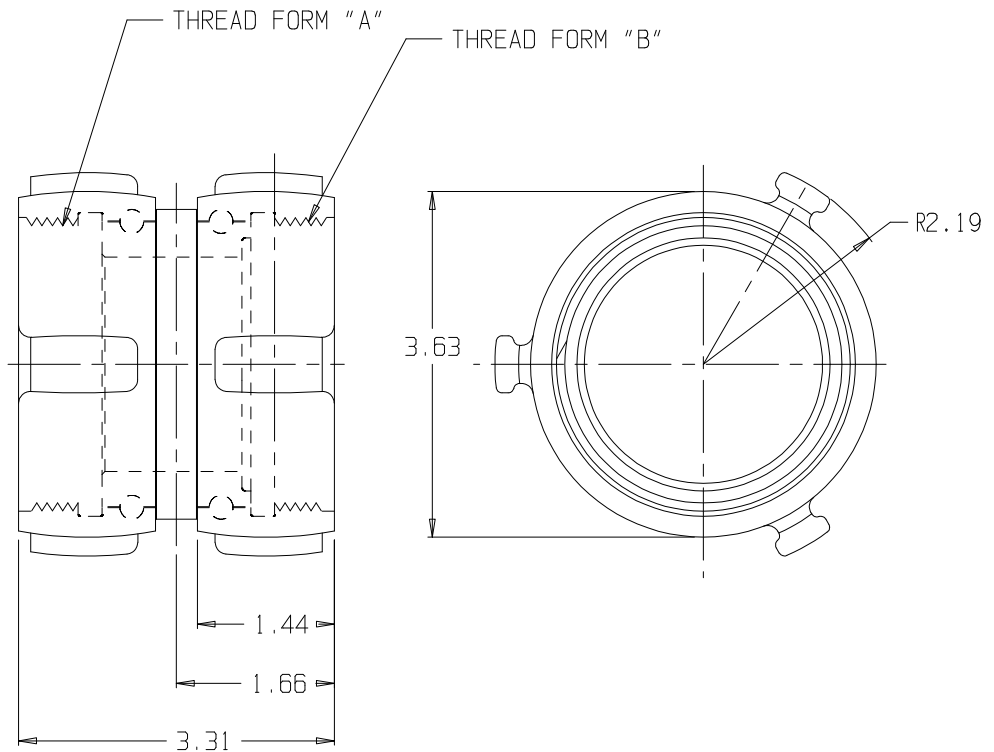


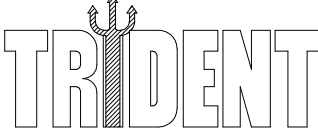
PART NO.	THREAD FORM "A"	THREAD FORM "B"
01.S12.0	3.125 x 5 TPI	3.125 x 5 TPI
01.S12.1	3.125 X 5 TPI	3.125 X 5 TPI W/STRNR
01.S12.2	3.062 X 6 TPI	3.062 X 6 TPI
01.S12.3	2.5"F NH	3.031 X 6 TPI
01.S12.4	3"F NH	3.031 X 7 TPI
01.S12.5	2.5"F NH	3.000 X 8 TPI
01.S12.6	2.841" X 8 TPI-NPSH	2.841" X 8 TPI-NPSH
01.S12.7	2.5" NH	3.031 X 7 TPI
01.S12.8	2.5"F NH	2.990 X 8 TPI
01.S12.9	2.841 X 8 TPI	3.250 X 6 TPI
01.S12.10	3.230 X 5 TPI-F	3.230 X 5 TPI-F
01.S12.11	3.250 X 5 TPI-F	3.250 X 5 TPI-F
01.S12.12	3.250 X 6 TPI-F	3.250 X 6 TPI-F

REVISIONS				
REV	DESCRIPTION	DATE	DRAWN BY	APPROVED



NOTES:

- 1) CHROME PLATED
- 2) MATERIAL: BRASS
- 3) (2) RUBBER WASHERS INCLUDED

 EMERGENCY PRODUCTS, LLC	ADPTR, SWIVEL FM X SWIVEL FEMALE		
	REPORT ERRORS & CHANGES REMOVE ALL SHARP EDGES UNLESS OTHERWISE SPECIFIED ALL DIMENSIONS ARE IN INCHES	STANDARD TOLERANCES: DECIMALS .XX ± .030 .XXX ± .015	ANGLES ± 1/2°
COPYRIGHT © DRAWING NOT TO BE REPRODUCED OR USED TO MAKE OTHER DRAWINGS OR MACHINERY	SIZE A	DWG NO. 01.S12.XXPC	REV
DRAWN BY MS CHECKED BY MS	DATE 03-22-2011	SCALE 1:2	SHEET 1 OF 1