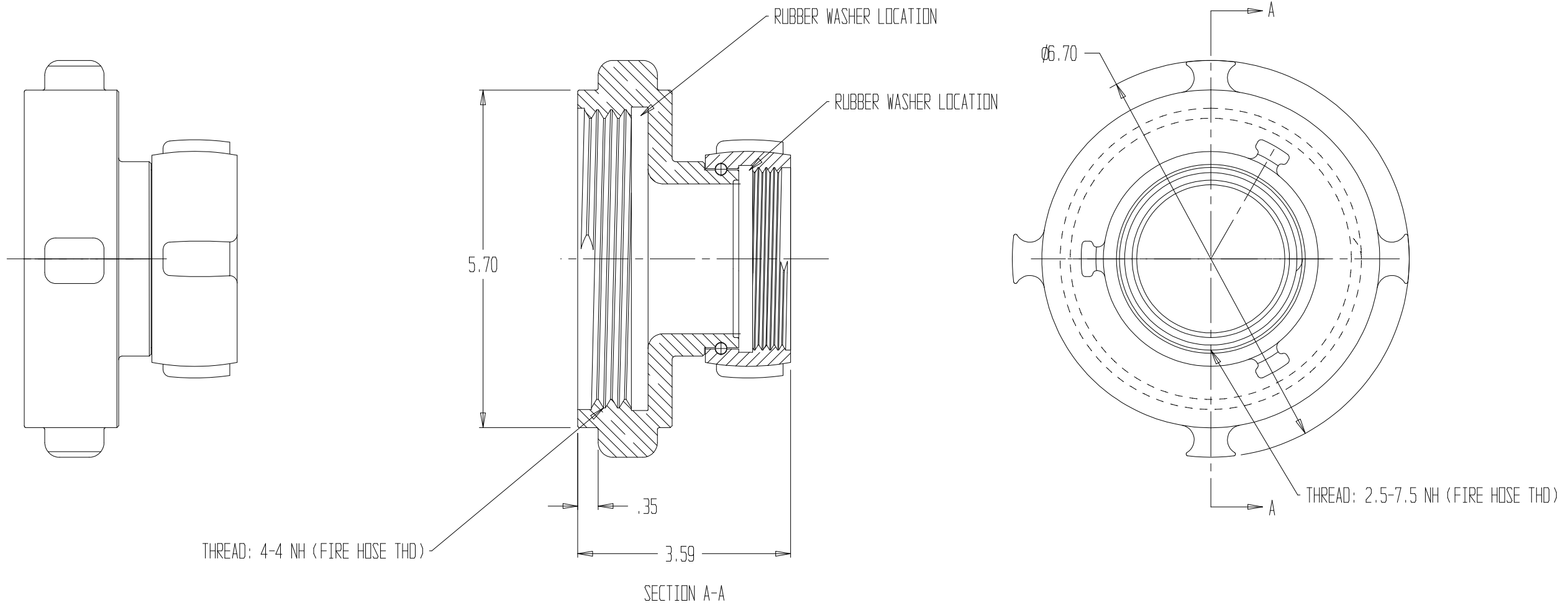


NOTES:

- 1) CHROME PLATED
- 2) MATERIAL: BRASS
- 3) (2) RUBBER WASHERS INCLUDED IN ASSEMBLY
- 4) BALL MATERIAL: STAINLESS

REVISIONS				
REV	DESCRIPTION	DATE	DRAWN BY	APPROVED



	ADAPTER, 4" FNH x 2.5" FNH		
	REPORT ERRORS & CHANGES REMOVE ALL SHARP EDGES UNLESS OTHERWISE SPECIFIED ALL DIMENSIONS ARE IN INCHES	STANDARD TOLERANCES: DECIMALS .XX ± .030 .XXX ± .015	ANGLES ± 1/2°
COPYRIGHT © DRAWING NOT TO BE REPRODUCED OR USED TO MAKE OTHER DRAWINGS OR MACHINERY	SIZE B	DWG NO. 01.066.0PC	REV .
DRAWN BY MS CHECKED BY MS	DATE 09/12/2002	SCALE 1:2	SHEET 1 OF 1