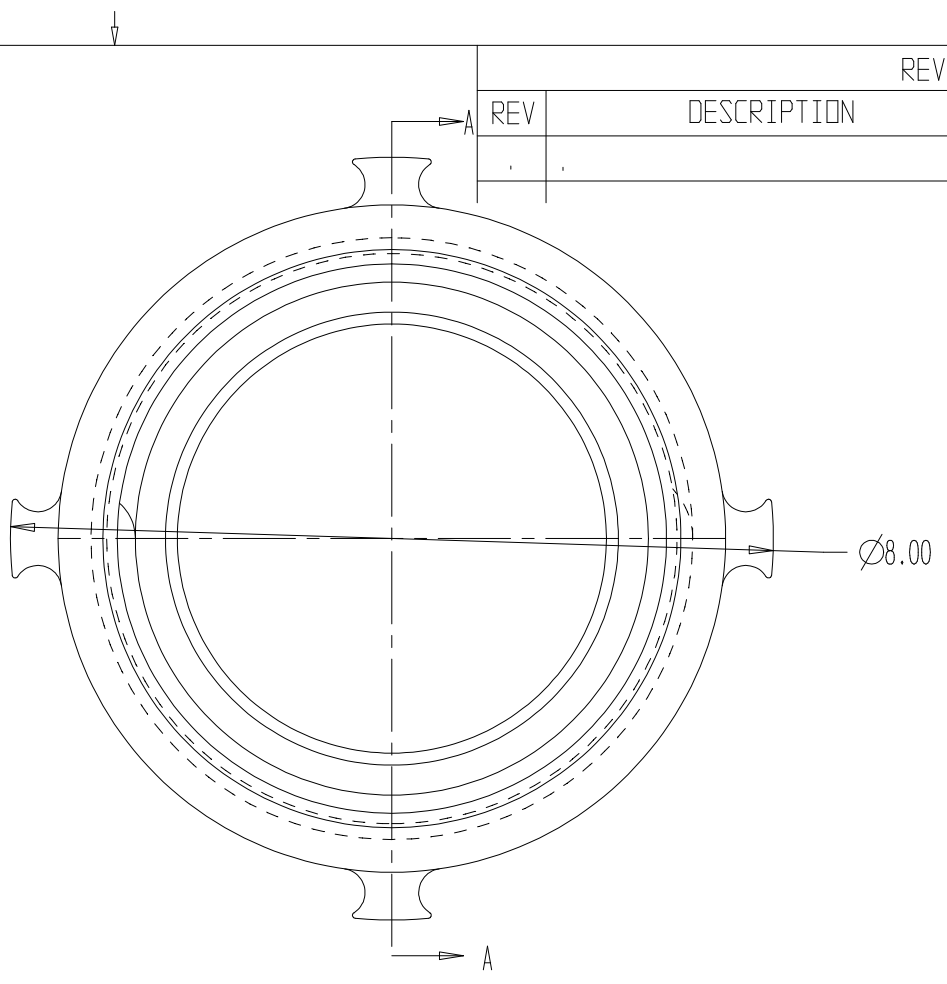



THREAD: 5-4 NH (FIRE HOSE THD) SECTION A-A



REVISIONS				
REV	DESCRIPTION	DATE	DRAWN BY	APPROVED

NOTES:

- 1) CHROME PLATED
- 2) MATERIAL: BRASS

 EMERGENCY PRODUCTS, LLC	ADAPTER, 5" FNHx4.5" MNH		
	<small>REPORT ERRORS & CHANGES REMOVE ALL SHARP EDGES UNLESS OTHERWISE SPECIFIED ALL DIMENSIONS ARE IN INCHES</small>	<small>STANDARD TOLERANCES:</small> <small>DECIMALS .XX ± .030 .XXX ± .015</small>	<small>ANGLES ± 1/2°</small>
<small>COPYRIGHT © DRAWING NOT TO BE REPRODUCED OR USED TO MAKE OTHER DRAWINGS OR MACHINERY</small>	<small>SIZE B</small>	<small>DWG NO. 01.099.0PC</small>	<small>REV .</small>
<small>DRAWN BY MS CHECKED BY MS</small>	<small>DATE 05/13/2003</small>	<small>SCALE 1:2</small>	<small>SHEET 1 OF 1</small>