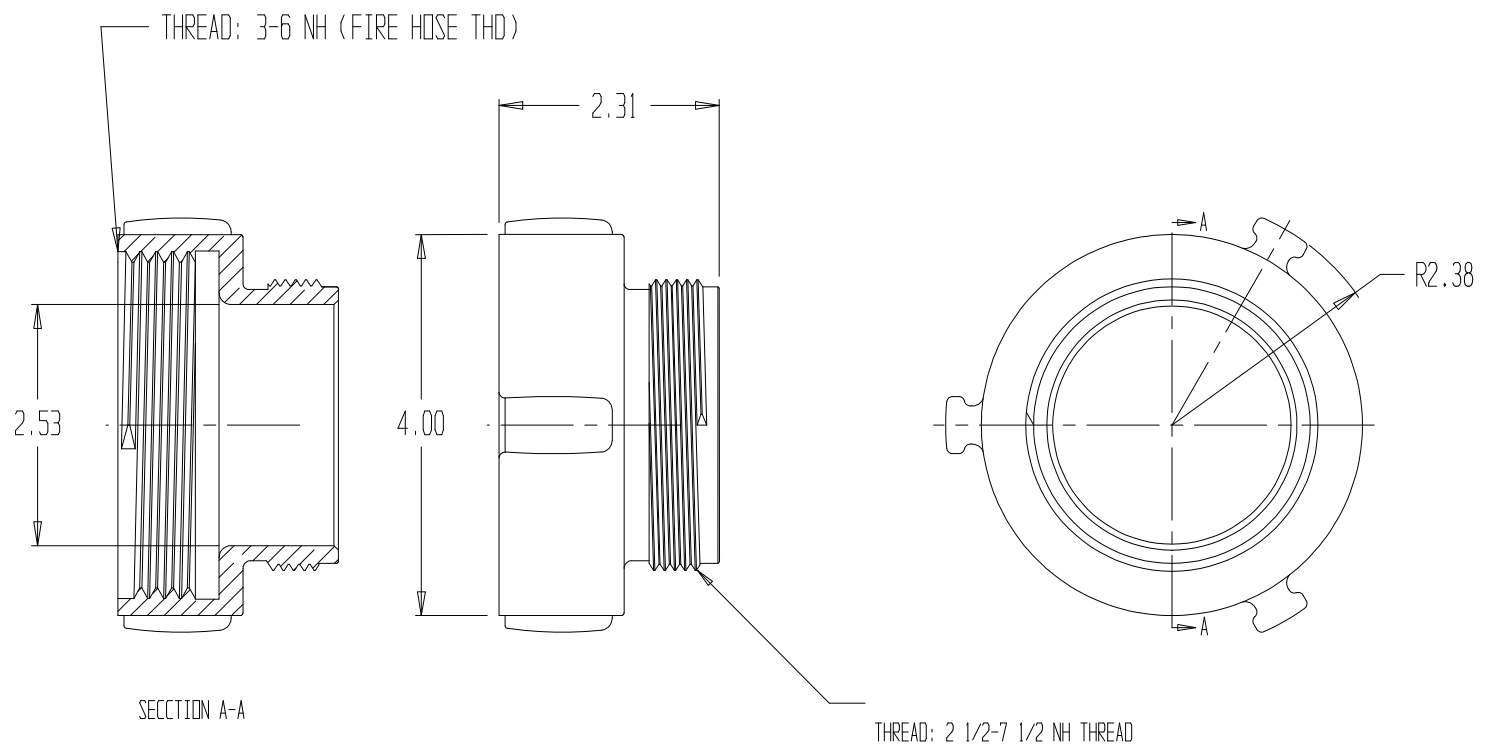


REVISIONS				
REV	DESCRIPTION	DATE	DRAWN BY	APPROVED



NOTES:

- 1) CHROME PLATED
- 2) MATERIAL: BRASS
- 3) RUBBER WASHER INCLUDED IN ASSEMBLY



ADAPTER ASS'Y, 3" FNH X 2.5" MNH

REPORT ERRORS & CHANGES
 REMOVE ALL SHARP EDGES
 UNLESS OTHERWISE SPECIFIED
 ALL DIMENSIONS ARE IN INCHES

STANDARD TOLERANCES:

DECIMALS	ANGLES
.XX ± .030	± 1/2°
.XXX ± .015	

DRAWING NOT TO BE REPRODUCED OR USED TO MAKE OTHER DRAWINGS OR MACHINERY		COPYRIGHT ©	SIZE A	DWG NO.	REV
DRAWN BY	MS	DATE	11/23/2001	01.017.0PC	
CHECKED BY	MS	SCALE	1:2	SHEET	1 OF 1