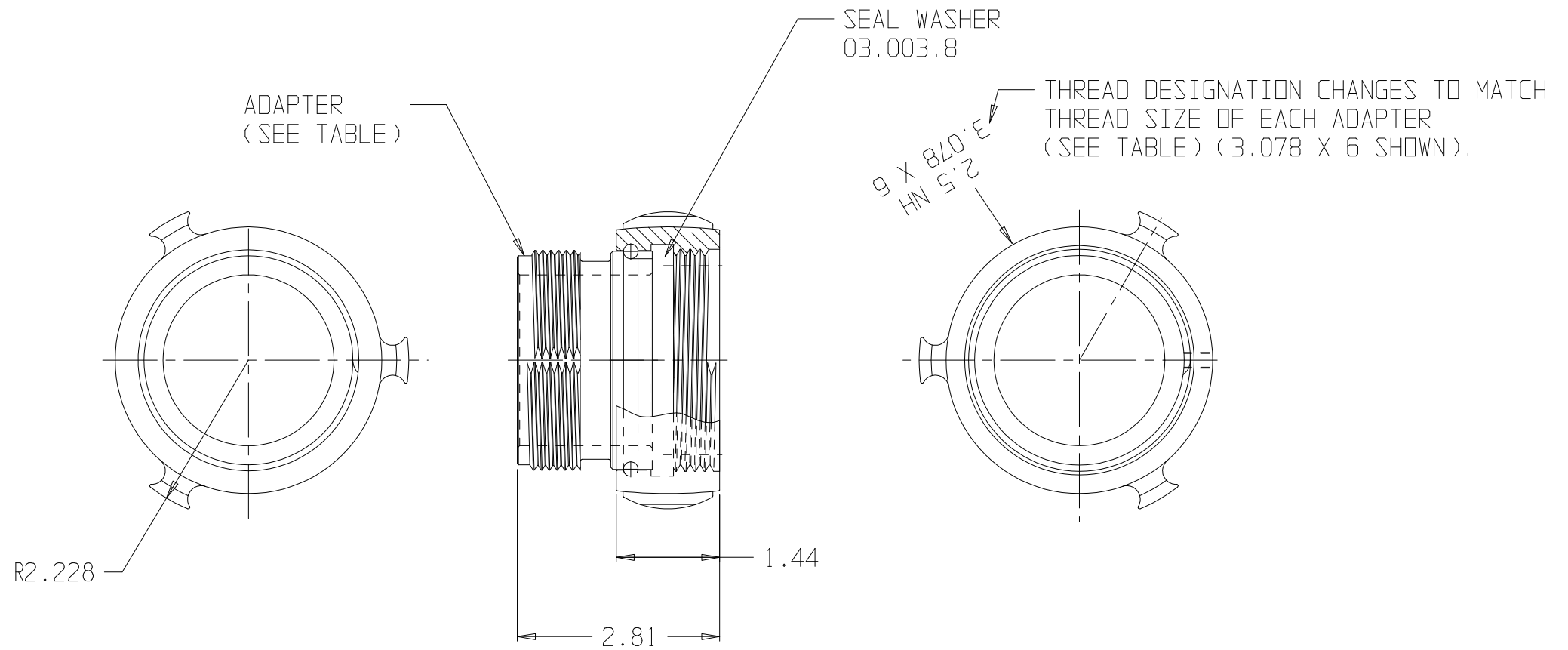



PART NO.	THREAD FORM
01.S18.0	3.234 X 6 TPI
01.S18.1	3.063 X 6 TPI
01.S18.2	3.00 X 8 TPI
01.S18.3	3.093 X 8 TPI
01.S18.4	2.843 X 8 TPI
01.S18.5	3.125 X 7.5 TPI
01.S18.6	3.281 X 8 TPI
01.S18.7	3.125 X 6 TPI
01.S18.8	3.030 X 8 TPI
01.S18.9	3.06 X 7 TPI
01.S18.10	3.078 X 8 TPI
01.S18.11	3.125 X 5 TPI
01.S18.12	3.087 X 6 TPI
01.S18.13	3.156 X 8 TPI
01.S18.14	3.234 X 6 TPI
01.S18.15	3.031 X 7 TPI
01.S18.16	3.230 X 5 TPI
01.S18.17	3.156 X 6 TPI
01.S18.18	3.165 X 7.5TPI
01.S18.19	3.250 X 6 TPI
01.S18.20	3.073 X 6 TPI
01.S18.21	3.250 X 5 TPI
01.S18.22	2.990 X 7.5TPI
01.S18.23	3.095 X 6 TPI
01.S18.24	3.187 X 6 TPI
01.S18.25	2.990 X 8 TPI
01.S18.26	3.093 X 6 TPI
01.S18.27	3.125 X 7 TPI
01.S18.28	2.950 X 8 TPI
01.S18.29	3.062 X 8 TPI
01.S18.30	2.968 X 8 TPI
01.S18.31	3.030 X 7 TPI
01.S18.32	3.078 X 6 TPI
01.S18.33	3.125x6 TPI DL
01.S18.34	3.000 X 8 TPI
01.S18.35	2.841 X 8 TPI
01.S18.36	3.250 X 5 TPI



REVISIONS				
REV	DESCRIPTION	DATE	DRAWN BY	APPROVED

NOTES:

1) CHROME PLATED

 EMERGENCY PRODUCTS, LLC	SPCL. VLH THD DISCH. ADPTR.		
	REPORT ERRORS & CHANGES REMOVE ALL SHARP EDGES UNLESS OTHERWISE SPECIFIED ALL DIMENSIONS ARE IN INCHES	STANDARD TOLERANCES: DECIMALS .XX ± .030 .XXX ± .015	ANGLES ± 1/2°
COPYRIGHT © DRAWING NOT TO BE REPRODUCED OR USED TO MAKE OTHER DRAWINGS OR MACHINERY	SIZE B	DWG NO. 01.S18.XXPC	REV
DRAWN BY MS CHECKED BY MS	DATE 10/24/2003	SCALE 1:2	SHEET 1 OF 1