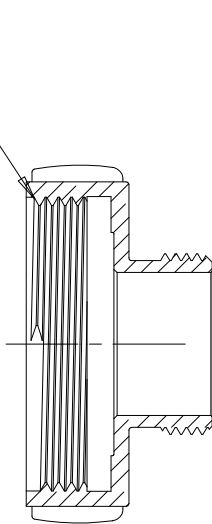
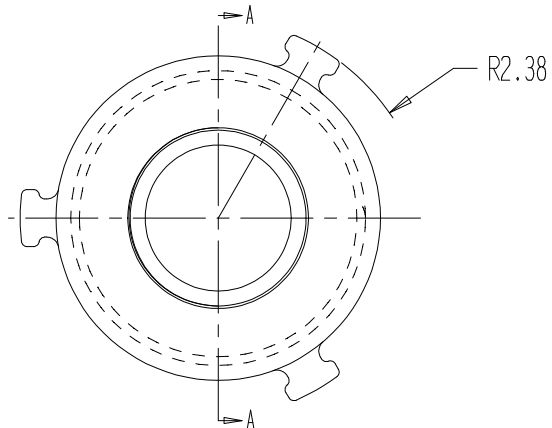
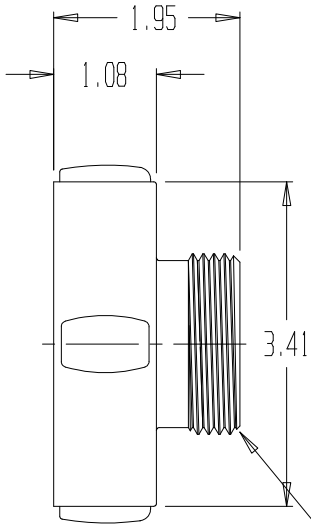


| REVISIONS | | | | |
|-----------|-------------|------|----------|----------|
| REV | DESCRIPTION | DATE | DRAWN BY | APPROVED |
| . | . | . | . | . |
| . | . | . | . | . |

THREAD: 2.5-7.5 NH (FIRE HOSE THD)



SECTION A-A



THREAD: 1.5-11.5 NPSH

NOTES:

- 1) CHROME PLATED
- 2) MATERIAL: BRASS



ADAPTER, 2.5" FNH x 1.5" NPSH

REPORT ERRORS & CHANGES
REMOVE ALL SHARP EDGES
UNLESS OTHERWISE SPECIFIED
ALL DIMENSIONS ARE IN INCHES

STANDARD TOLERANCES:

| | |
|-------------|--------|
| DECIMALS | ANGLES |
| .XX ± .030 | ± 1/2° |
| .XXX ± .015 | |

COPYRIGHT ©
DRAWING NOT TO BE REPRODUCED OR USED TO
MAKE OTHER DRAWINGS OR MACHINERY

SIZE
A

DWG
NO.

01.008.4PC

REV
.

DRAWN BY MS
CHECKED BY MS

DATE 12/26/2002

SCALE 1:2

SHEET 1 OF 1