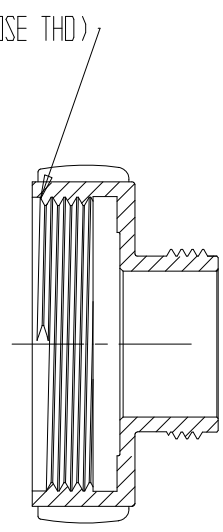
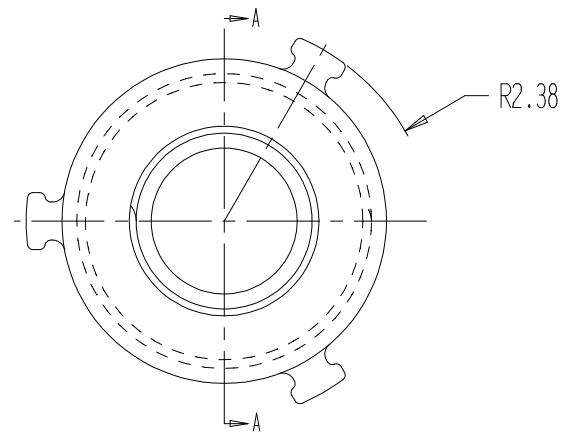
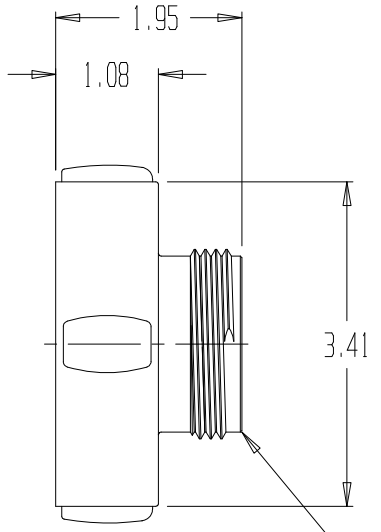


REVISIONS				
REV	DESCRIPTION	DATE	DRAWN BY	APPROVED
.
.

THREAD: 2.5-7.5 NH (FIRE HOSE THD)



SECTION A-A



THREAD: 1.5-9 NH

NOTES:

- 1) CHROME PLATED
- 2) MATERIAL: BRASS



ADAPTER, 2.5" FNH x 1.5" MNH

REPORT ERRORS & CHANGES
 REMOVE ALL SHARP EDGES
 UNLESS OTHERWISE SPECIFIED
 ALL DIMENSIONS ARE IN INCHES

STANDARD TOLERANCES:

DECIMALS	ANGLES
.XX ± .030	± 1/2°
.XXX ± .015	

DRAWING NOT TO BE REPRODUCED OR USED TO MAKE OTHER DRAWINGS OR MACHINERY		SIZE A	DWG NO. 01.008.0PC	REV .
DRAWN BY MS	CHECKED BY MS	DATE 03/27/2002	SCALE 1:2	SHEET 1 OF 1