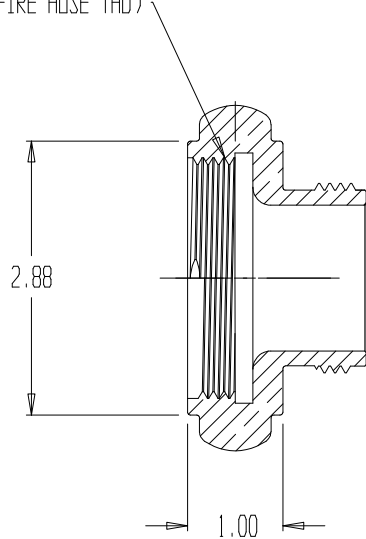
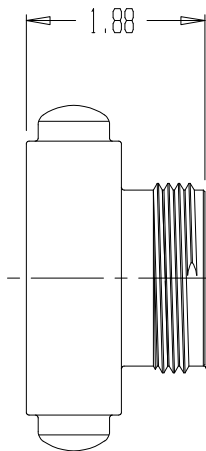


REVISIONS				
REV	DESCRIPTION	DATE	DRAWN BY	APPROVED

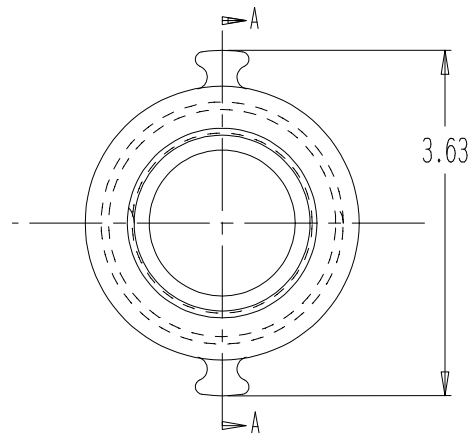
THREAD: 2-8 NH (FIRE HOSE THD)



SECTION A-A



THREAD: 1.5-9 NH



NOTES:

- 1) CHROME PLATED
- 2) MATERIAL: BRASS
- 3) RUBBER WASHER INCLUDED IN ASSEMBLY



ADAPTER, 2" FNH x 1.5" MNH

REPORT ERRORS & CHANGES
REMOVE ALL SHARP EDGES
UNLESS OTHERWISE SPECIFIED
ALL DIMENSIONS ARE IN INCHES

STANDARD TOLERANCES:
DECIMALS .XX ± .030
 .XXX ± .015
ANGLES ± 1/2°

DRAWN BY MS		DATE 10/09/2002
CHECKED BY	MS	

SIZE A	SCALE 1:2
--------	-----------

DWG NO. 01.063.0PC	SHEET 1 OF 1
--------------------	--------------

REV
