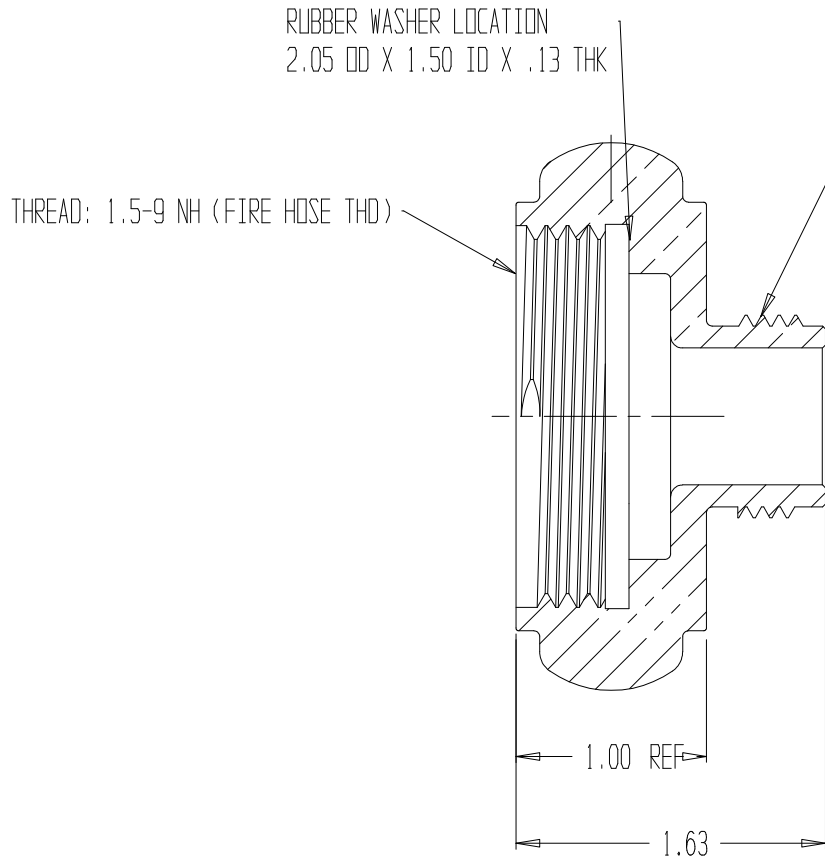
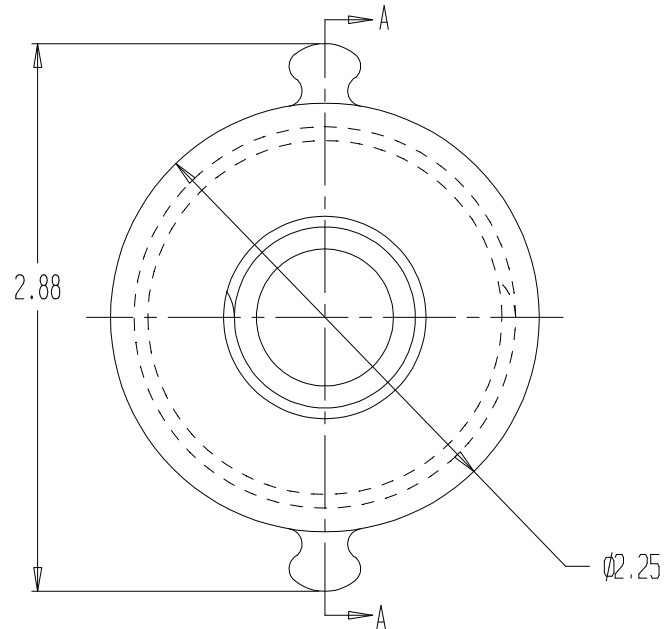


REVISIONS				
REV	DESCRIPTION	DATE	DRAWN BY	APPROVED
.	.	.	.	.
.	.	.	.	.



THREAD: .75-11.5 NH (GARDEN HOSE THREAD)



NOTES:

- 1) CHROME PLATED
- 2) MATERIAL: BRASS
- 3) RUBBER WASHER INCLUDED IN ASSEMBLY

SECTION A-A



ADAPTER, 1.5" FNH x .75" MGHT

REPORT ERRORS & CHANGES  
REMOVE ALL SHARP EDGES  
UNLESS OTHERWISE SPECIFIED  
ALL DIMENSIONS ARE IN INCHES

STANDARD TOLERANCES:

DECIMALS	ANGLES
.XX ± .030	± 1/2°
.XXX ± .015	

DRAWING NOT TO BE REPRODUCED OR USED TO MAKE OTHER DRAWINGS OR MACHINERY		COPYRIGHT ©	SIZE A	DWG NO.	01.093.0PC	REV
DRAWN BY	MS	DATE	03/26/2003	SCALE	1:1	SHEET 1 OF 1
CHECKED BY	MS					