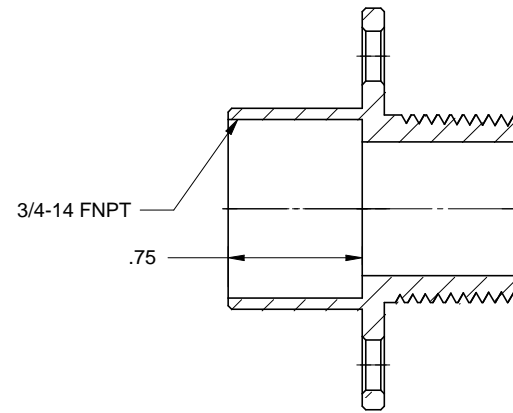
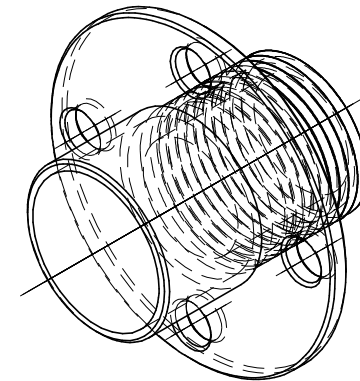
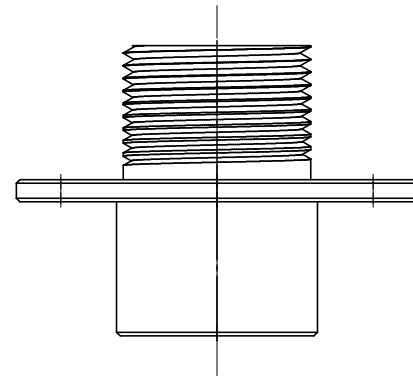


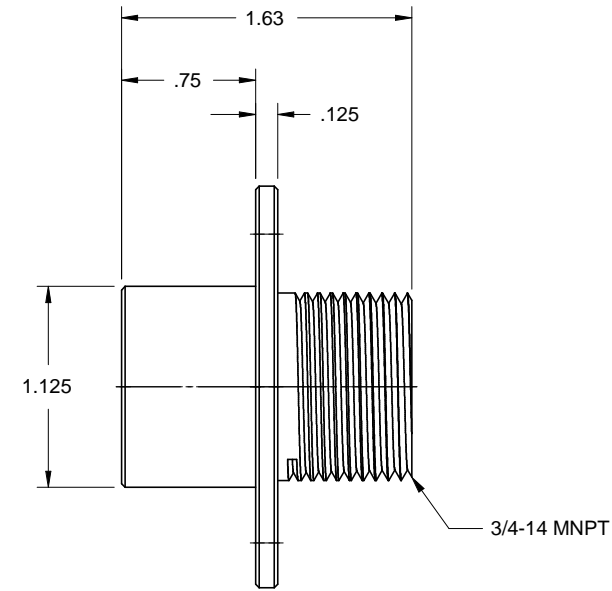
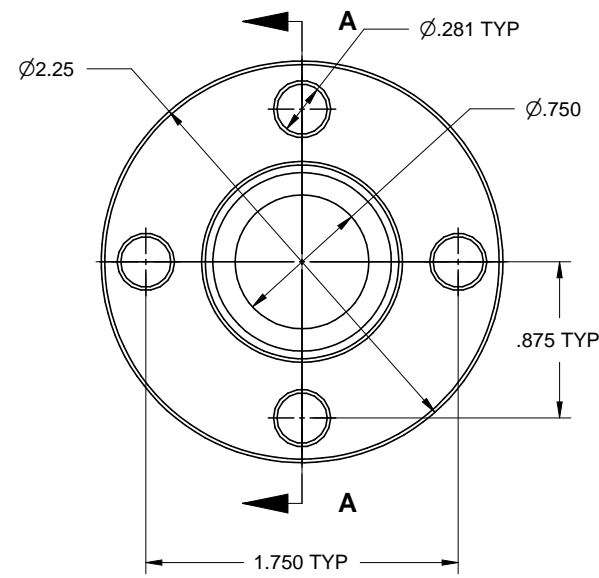
NOTES:

- 1. MATERIAL - BRASS ALLOY
- 2. CHROME PLATED

REVISIONS				
ZONE	REV	DESCRIPTION	DATE	APPROVED



Section A-A



REMOVE ALL SHARP EDGES ALL DIMENSIONS ARE INCHES STANDARD TOLERANCES: .XX +/- .015 .XXX +/- .005 ANGLES +/- .5°	DRAWN	DATE	TRIDENT EMERGENCY PRODUCTS, LLC <i>"Tomorrow's Ideas Delivered Today"</i>		
	MS	05/04/2010			
	CHECKED		FITTING, .75 NPT BULKHEAD		
	QA				
MFG		SIZE	FSCM NO.	DWG NO.	REV
APPROVED		B		09.048.0PC	
OR USED TO MAKE OTHER DRAWINGS OR MACHINERY		SCALE	1:1	SHEET	1 OF 1