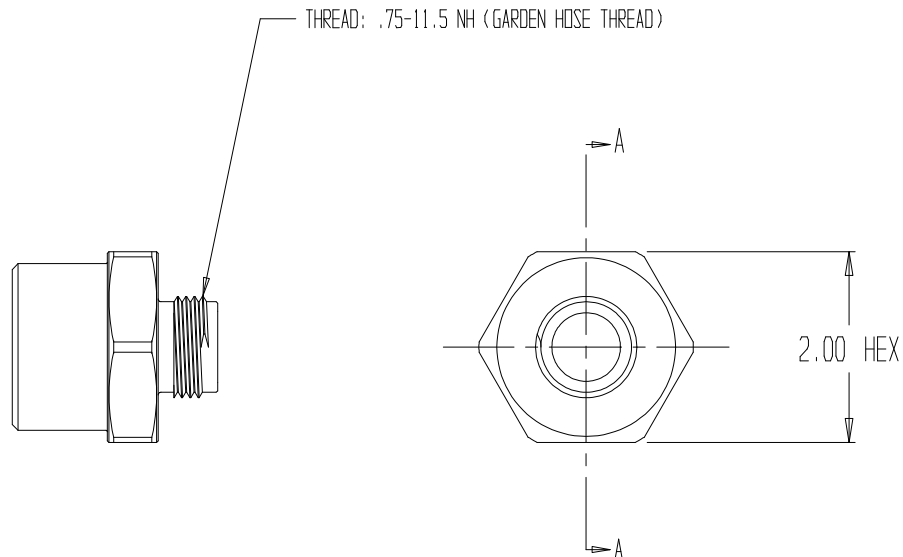
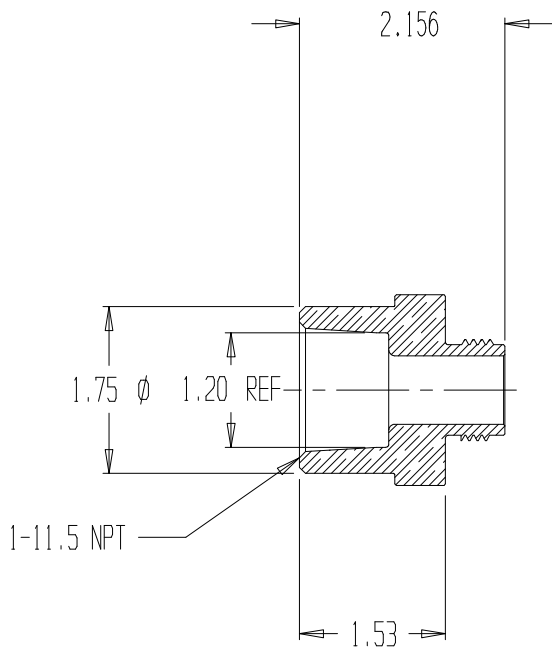


REVISIONS				
REV	DESCRIPTION	DATE	DRAWN BY	APPROVED
.	.	.	.	.
.	.	.	.	.



- NOTES:  
 2) CHROME PLATED  
 3) MATERIAL: BRASS



ADAPTER, 1" FNPT x 3/4" MGHT

REPORT ERRORS & CHANGES  
 REMOVE ALL SHARP EDGES  
 UNLESS OTHERWISE SPECIFIED  
 ALL DIMENSIONS ARE IN INCHES

STANDARD TOLERANCES:  
 DECIMALS .XX  $\pm$  .030  
 .XXX  $\pm$  .015  
 ANGLES  $\pm$  1/2°

COPYRIGHT ©  
 DRAWING NOT TO BE REPRODUCED OR USED TO  
 MAKE OTHER DRAWINGS OR MACHINERY

DRAWN BY	MS
CHECKED BY	MS

SIZE	A
SCALE	1:2

DWG NO.	01.127.OPC
SHEET	1 OF 1

REV	.
-----	---

