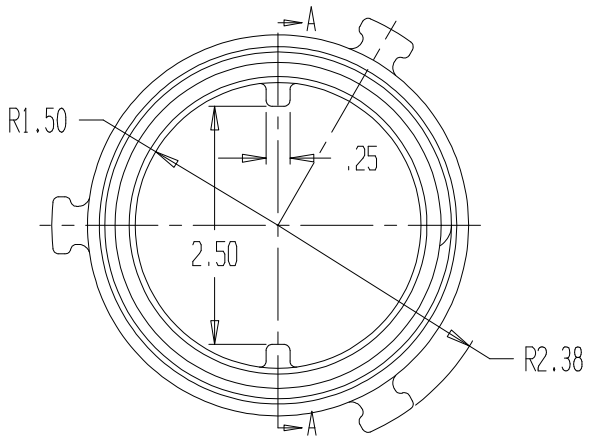
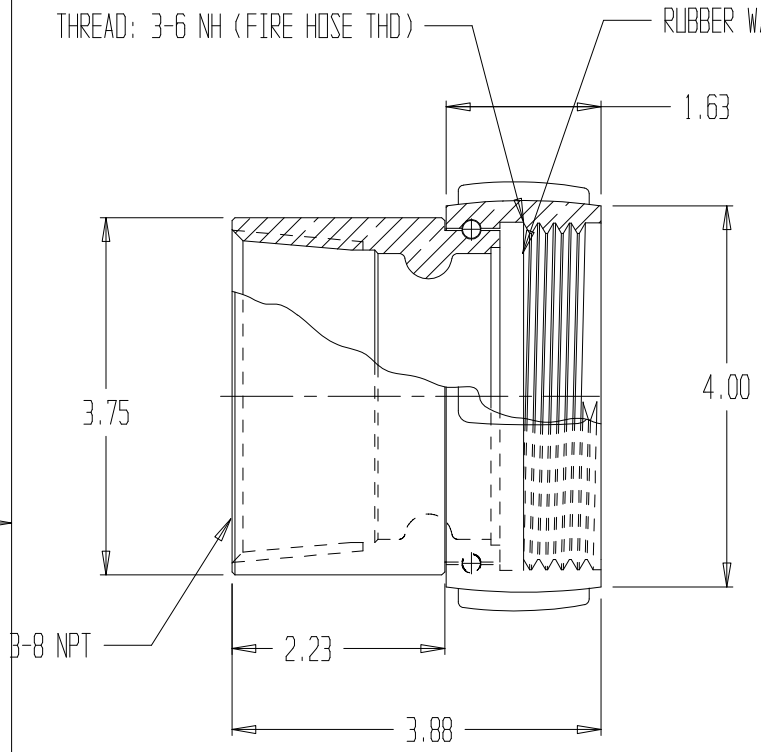


REVISIONS				
REV	DESCRIPTION	DATE	DRAWN BY	APPROVED



NOTES:

- 1) CHROME PLATED
- 2) MATERIAL: BRASS
- 3) RUBBER WASHER INCLUDED
- 4) BALL MATERIAL: BRASS
- 5) STRAINER INCLUDED, NOT SHOWN



ADAPTER, 3" FNPT X 3" FNH

REPORT ERRORS & CHANGES
REMOVE ALL SHARP EDGES
UNLESS OTHERWISE SPECIFIED
ALL DIMENSIONS ARE IN INCHES

STANDARD TOLERANCES:

DECIMALS	ANGLES
.XX ± .030	± 1/2°
.XXX ± .015	

DRAWING NOT TO BE REPRODUCED OR USED TO MAKE OTHER DRAWINGS OR MACHINERY		COPYRIGHT ©	SIZE A	DWG NO. 01.032.5PC	REV
DRAWN BY MS	CHECKED BY MS	DATE 04/02/2002	SCALE 1:2	SHEET 1 OF 1	