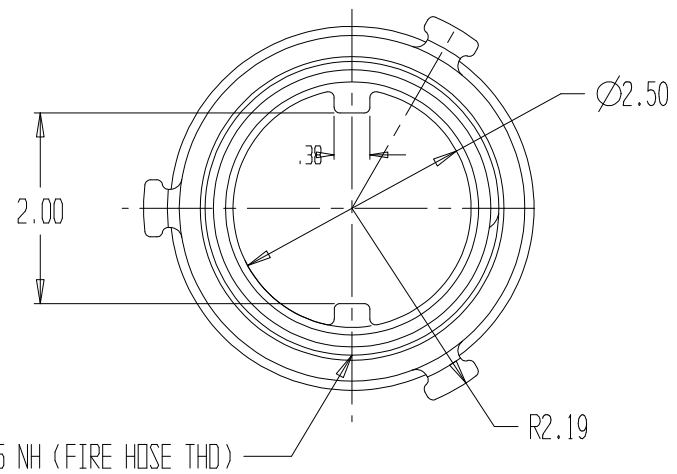
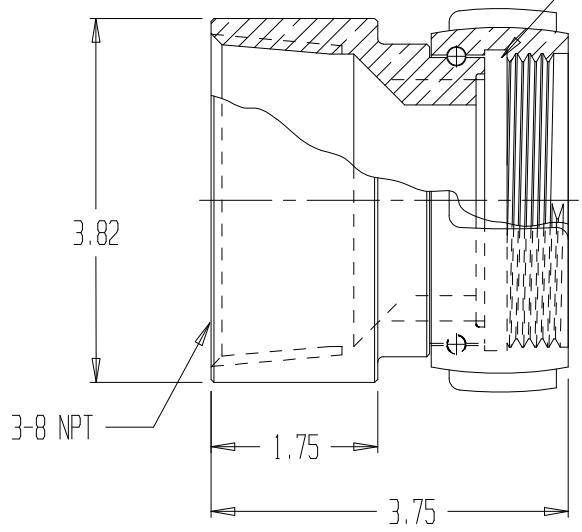


| REVISIONS | | | | |
|-----------|-------------|------|----------|----------|
| REV | DESCRIPTION | DATE | DRAWN BY | APPROVED |
| | | | | |
| | | | | |

RUBBER WASHER LOCATION
3.19 OD X 2.56 ID X .19 THK



- NOTES:
- 1) CHROME PLATED
 - 2) MATERIAL: BRASS
 - 3) RUBBER WASHER INCLUDED
 - 4) STRAINER INCLUDED



ADAPTER, 3 FNPT X 2.5 FNH

REPORT ERRORS & CHANGES
REMOVE ALL SHARP EDGES
UNLESS OTHERWISE SPECIFIED
ALL DIMENSIONS ARE IN INCHES

STANDARD TOLERANCES:

| | |
|-------------|--------|
| DECIMALS | ANGLES |
| .XX ± .030 | ± 1/2° |
| .XXX ± .015 | |

| | | | | |
|--|-----------------|-----------|--------------------|-------|
| DRAWING NOT TO BE REPRODUCED OR USED TO MAKE OTHER DRAWINGS OR MACHINERY | | SIZE A | DWG NO. 01.031.5PC | REV B |
| DRAWN BY MS | DATE 04/02/2002 | SCALE 1:2 | SHEET 1 OF 1 | |
| CHECKED BY MS | | | | |