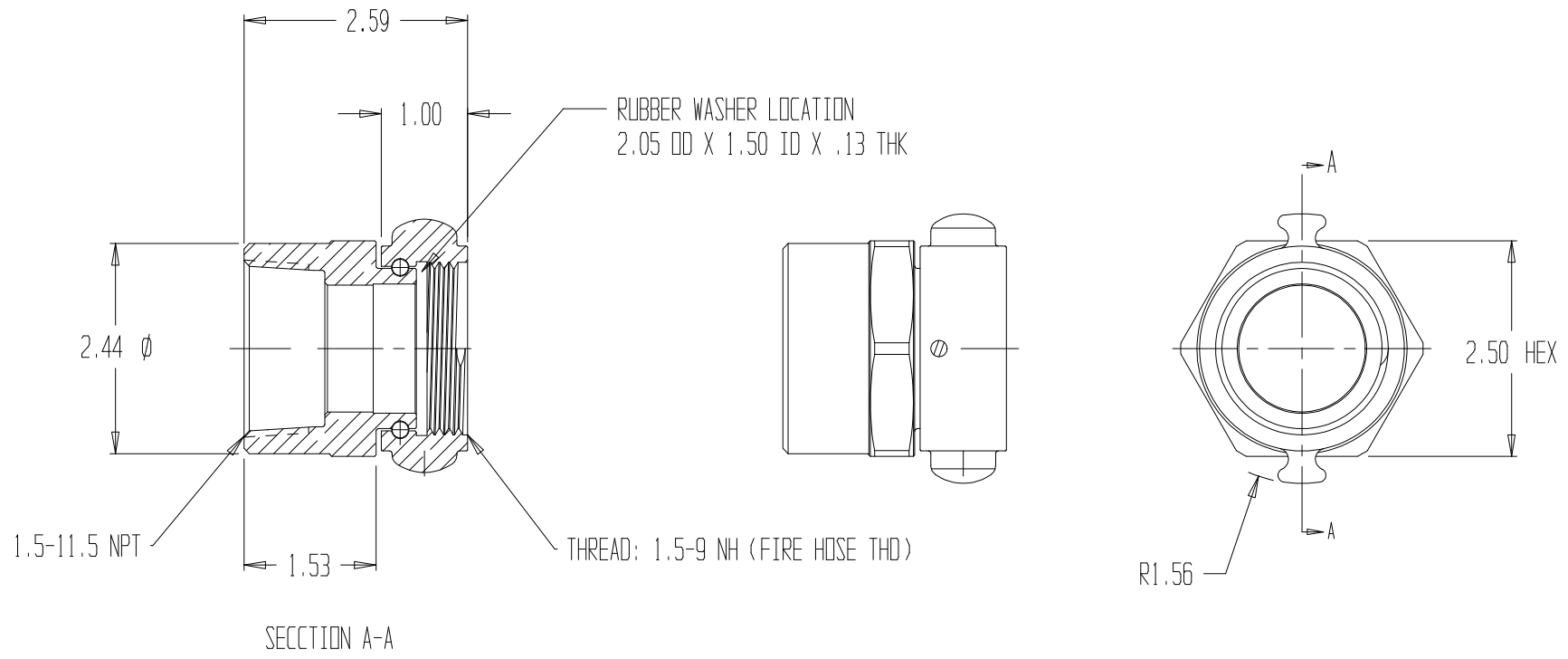


REVISIONS				
REV	DESCRIPTION	DATE	DRAWN BY	APPROVED
.
.



NOTES:

- 1) CHROME PLATED
- 2) MATERIAL: BRASS
BALLS: STAINLESS
- 3) RUBBER WASHER INCLUDED IN ASSEMBLY
- 4) STRAINER INCLUDED IN ASSEMBLY



ADAPTER, 1.5" FNPT x 1.5" FNH

REPORT ERRORS & CHANGES
REMOVE ALL SHARP EDGES
UNLESS OTHERWISE SPECIFIED
ALL DIMENSIONS ARE IN INCHES

STANDARD TOLERANCES:

DECIMALS	ANGLES
.XX ± .030	± 1/2°
.XXX ± .015	

COPYRIGHT © DRAWING NOT TO BE REPRODUCED OR USED TO MAKE OTHER DRAWINGS OR MACHINERY		SIZE A	DWG NO.	01.036.5PC	REV
DRAWN BY MS	CHECKED BY MS	DATE 09/20/2002	SCALE 1:2	SHEET 1 OF 1	