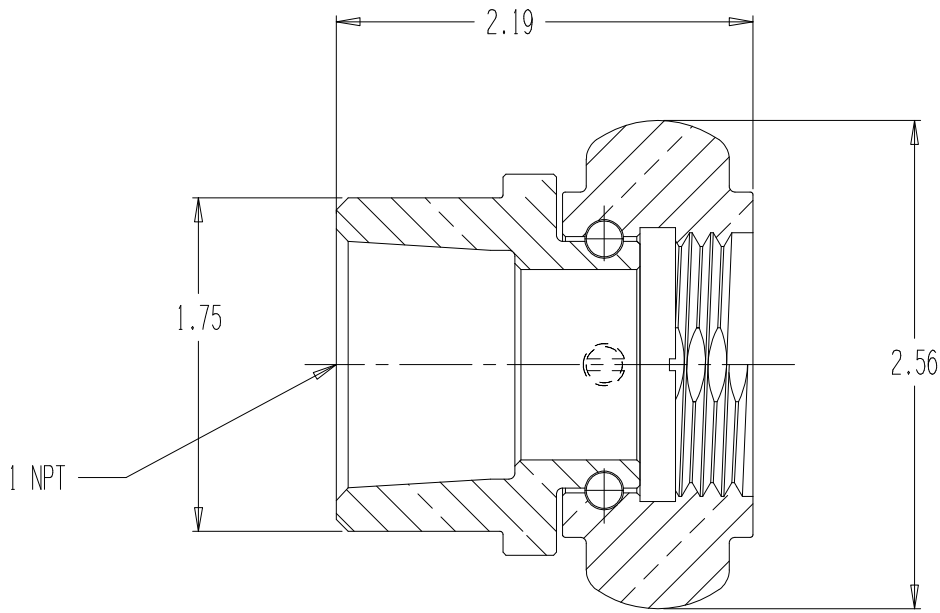


REVISIONS				
REV	DESCRIPTION	DATE	DRAWN BY	APPROVED



## ADAPTER, 1" FNPT x 1" FSNH

REPORT ERRORS & CHANGES  
REMOVE ALL SHARP EDGES  
UNLESS OTHERWISE SPECIFIED  
ALL DIMENSIONS ARE IN INCHES

STANDARD TOLERANCES:

DECIMALS	ANGLES
.XX ± .030	± 1/2°
.XXX ± .015	

DRAWING NOT TO BE REPRODUCED OR USED TO MAKE OTHER DRAWINGS OR MACHINERY		COPYRIGHT ©	SIZE .	DWG NO.	REV
DATE 03/03/2003		MS	A	01.091.0PC	
DRAWN BY	CHECKED BY	MS	SCALE 1:1	SHEET 1 OF 1	