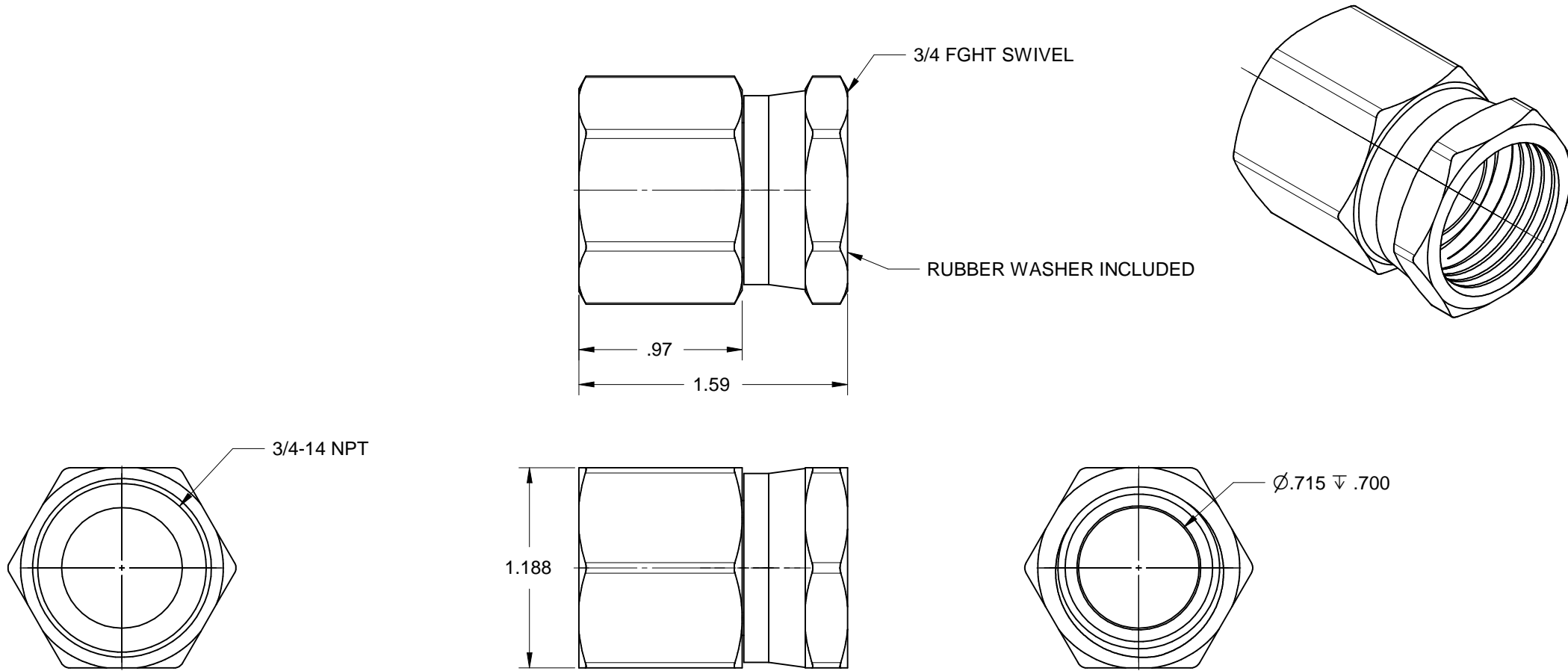


NOTES:

- 1. MATERIAL - BRASS
- 2. CHROME PLATED

| REVISIONS | | | | |
|-----------|-----|-------------|------|----------|
| ZONE | REV | DESCRIPTION | DATE | APPROVED |
| | | | | |
| | | | | |



| | | | | | | |
|--|----------|------------|---|----------|------------|-----|
| REMOVE ALL SHARP EDGES ALL DIMENSIONS ARE INCHES STANDARD TOLERANCES: .XX +/- .015 .XXX +/- .005 ANGLES +/- .5° | DRAWN | DATE | TRIDENT EMERGENCY PRODUCTS, LLC <i>"Tomorrow's Ideas Delivered Today"</i> | | | |
| | MS | 05/07/2010 | | | | |
| | CHECKED | | ADAPTER, .75 FNPT X .75 FSGHT | | | |
| QA | | | | | | |
| COPYRIGHT © DRAWING NOT TO BE REPRODUCED OR USED TO MAKE OTHER DRAWINGS OR MACHINERY | MFG | | SIZE | FSCM NO. | DWG NO. | REV |
| | APPROVED | | A | | 01.142.0PC | |
| | | | SCALE | 1:1 | SHEET | 1:1 |