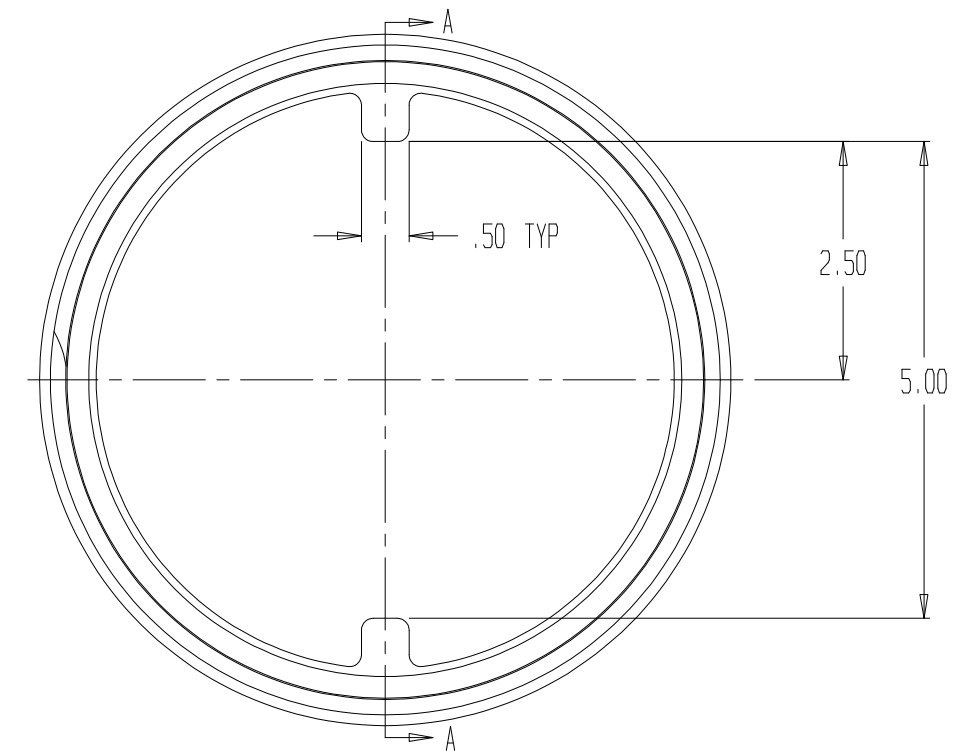
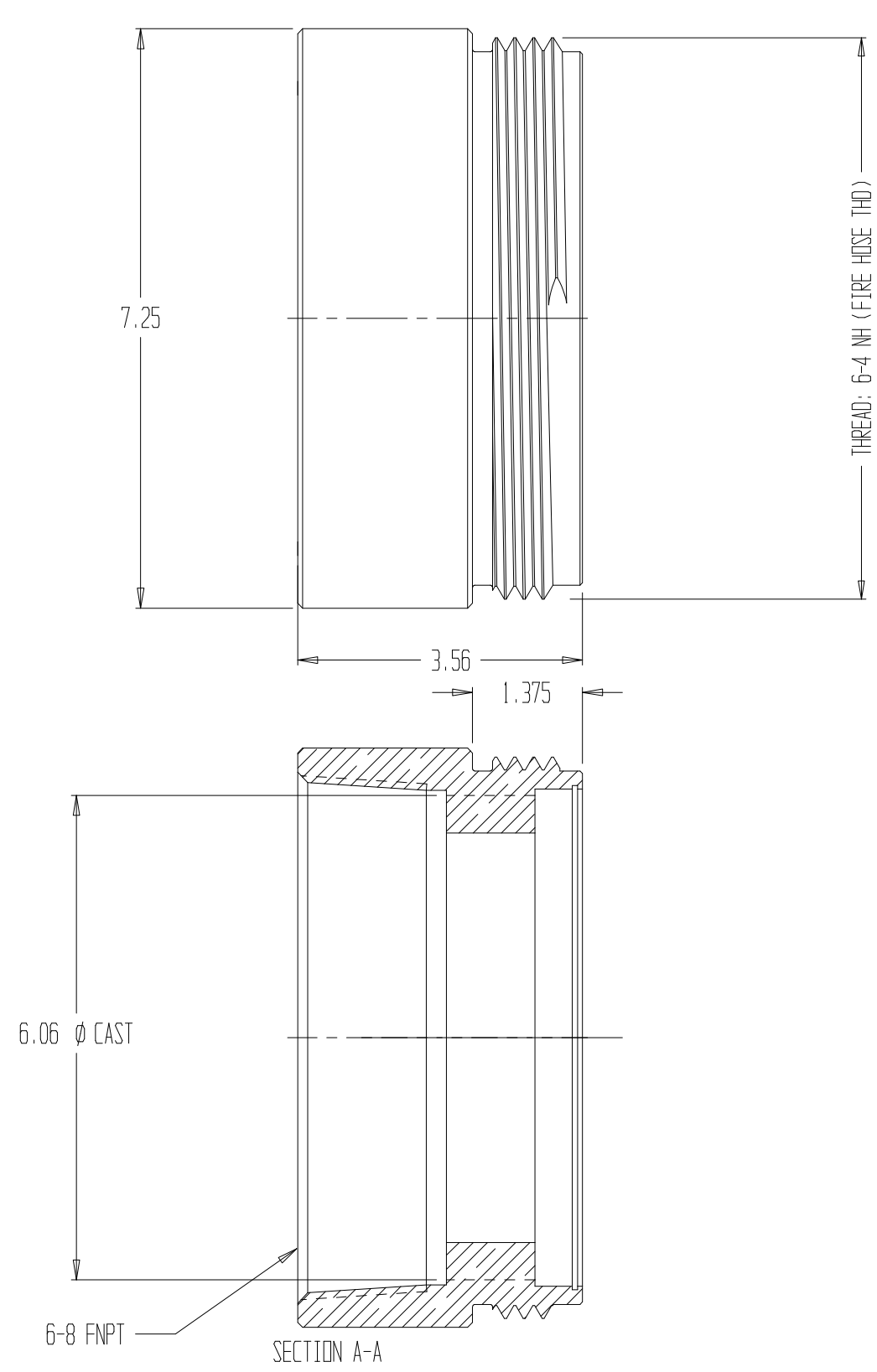


REVISIONS				
REV	DESCRIPTION	DATE	DRAWN BY	APPROVED



NOTES:  
 1) CHROME PLATED  
 2) MATERIAL: BRASS

		ADAPTER, 6" FNPT X 6" MNH		
		REPORT ERRORS & CHANGES REMOVE ALL SHARP EDGES UNLESS OTHERWISE SPECIFIED ALL DIMENSIONS ARE IN INCHES	STANDARD TOLERANCES: DECIMALS .XX $\pm$ .030 .XXX $\pm$ .015 ANGLES $\pm$ 1/2°	
COPYRIGHT © DRAWING NOT TO BE REPRODUCED OR USED TO MAKE OTHER DRAWINGS OR MACHINERY		SIZE B	DWG NO. 01.028.0PC	REV .
DRAWN BY MS CHECKED BY MS	DATE 03/25/2002	SCALE 1:2	SHEET 1 OF 1	