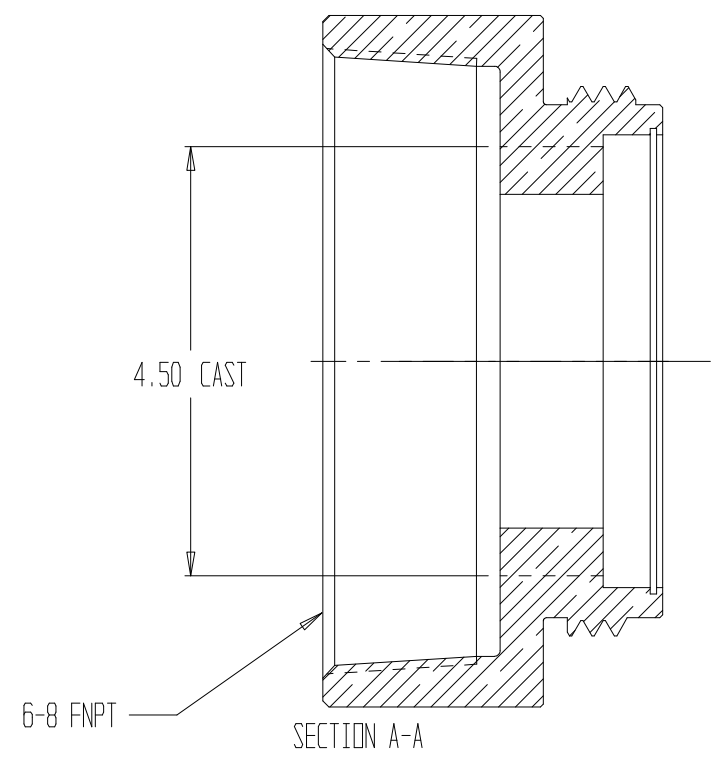
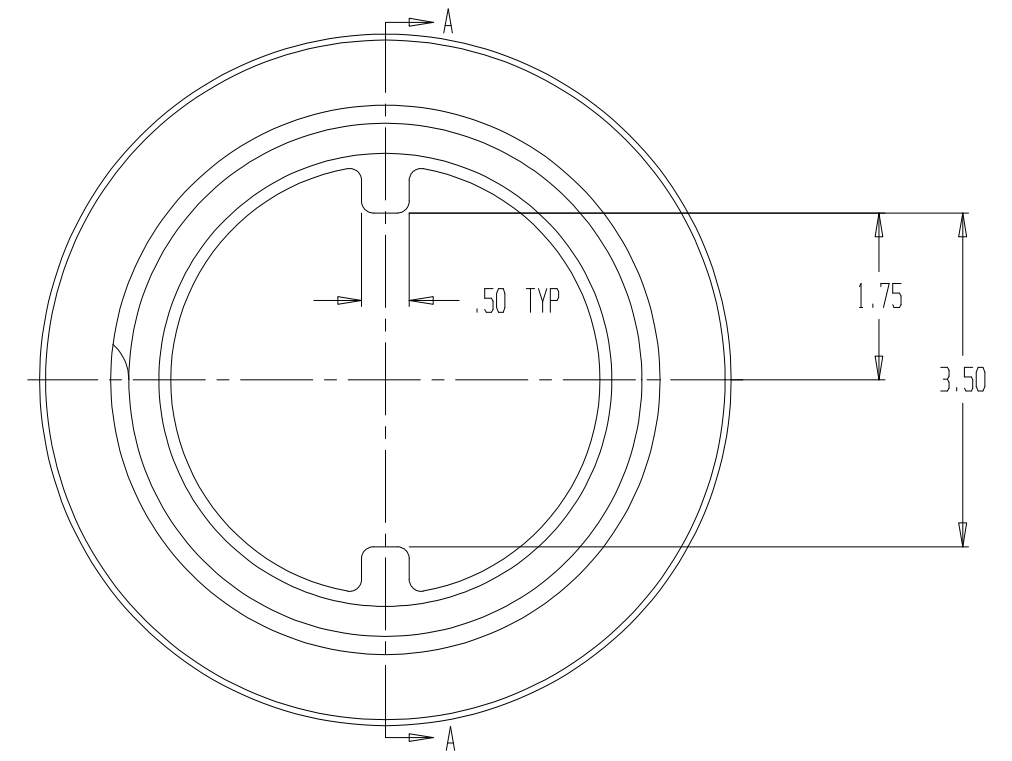
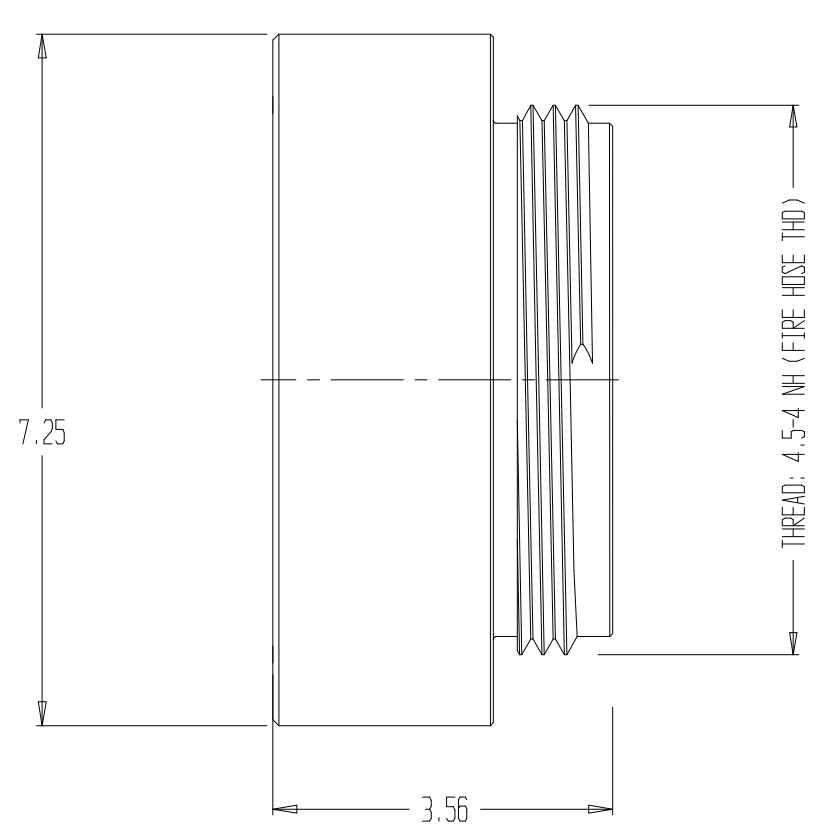


REVISIONS				
REV	DESCRIPTION	DATE	DRAWN BY	APPROVED



NOTES:  
 1) CHROME PLATED  
 2) MATERIAL: BRASS

		<b>ADAPTER, 6" FNPT x 4.5" MNH</b>		
<small>REPORT ERRORS &amp; CHANGES          REMOVE ALL SHARP EDGES          UNLESS OTHERWISE SPECIFIED          ALL DIMENSIONS ARE IN INCHES</small>		<small>STANDARD TOLERANCES:</small>		<small>DECIMALS</small> .XX ± .030 .XXX ± .015
<small>ANGLES</small> ± 1/2°		<small>SIZE</small> B	<small>DWG NO.</small> 01.040.0PC	<small>REV</small> .
<small>COPYRIGHT ©          DRAWING NOT TO BE REPRODUCED OR USED TO          MAKE OTHER DRAWINGS OR MACHINERY</small>		<small>DATE</small> 09/11/2002	<small>SCALE</small> 1:2	<small>SHEET</small> 1 OF 1
<small>DRAWN BY</small> MS	<small>CHECKED BY</small> MS	<small>DATE</small> 09/11/2002	<small>SCALE</small> 1:2	<small>SHEET</small> 1 OF 1