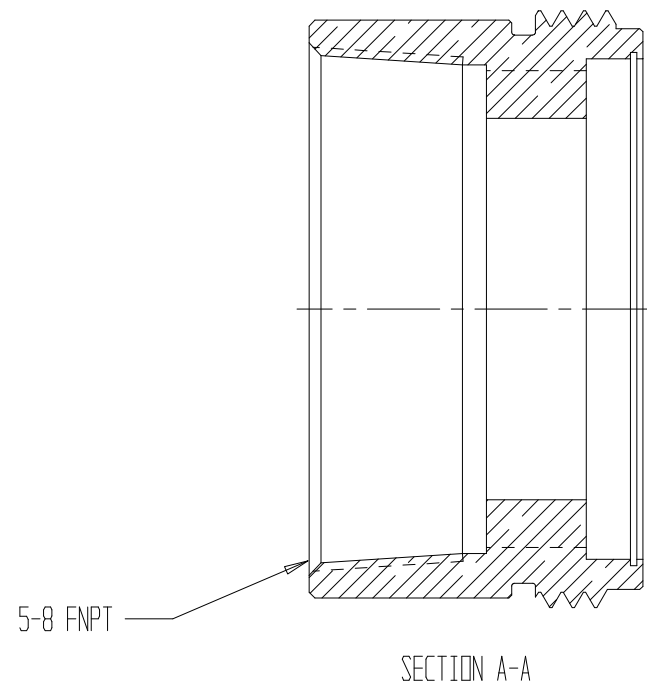
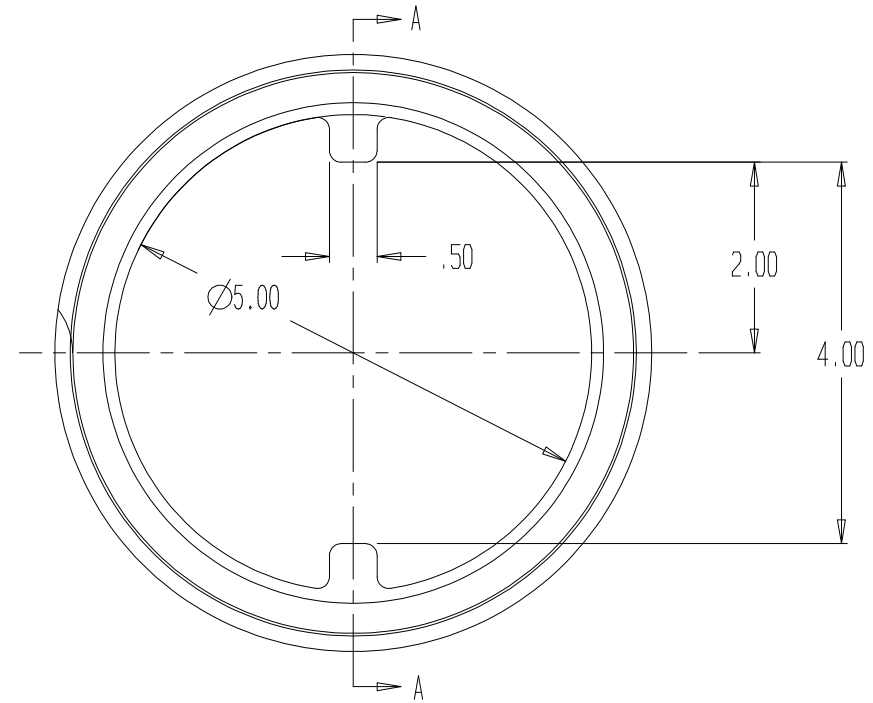
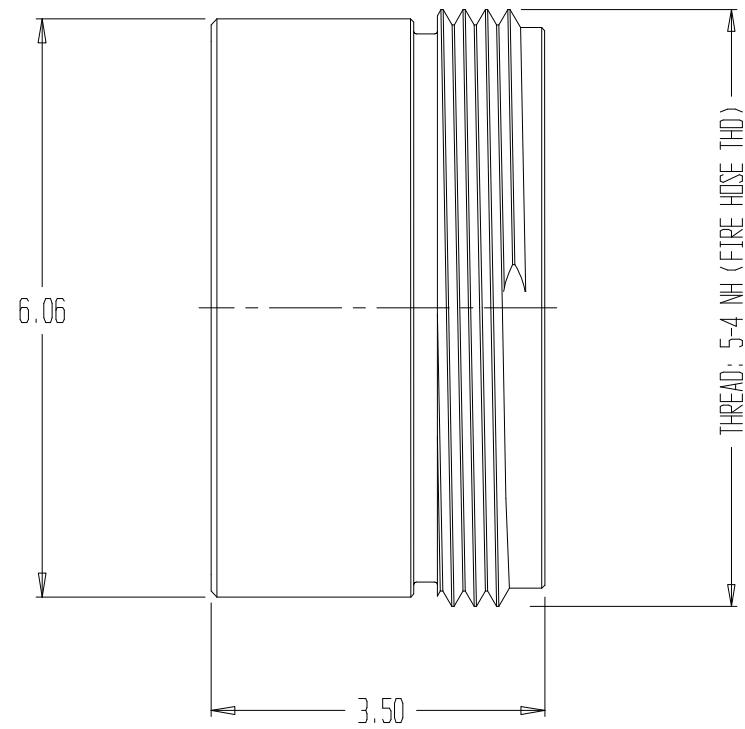


REVISIONS				
REV	DESCRIPTION	DATE	DRAWN BY	APPROVED



NOTES:

- 1) STRAINER INCLUDED, NOT SHOWN.
- 2) CHROME PLATED
- 3) MATERIAL: BRASS

		ADAPTER, 5" FNPT X 5" MNH		
		REPORT ERRORS & CHANGES REMOVE ALL SHARP EDGES UNLESS OTHERWISE SPECIFIED ALL DIMENSIONS ARE IN INCHES	STANDARD TOLERANCES: .XX ± .030 .XXX ± .015	ANGLES ± 1/2°
COPYRIGHT © DRAWING NOT TO BE REPRODUCED OR USED TO MAKE OTHER DRAWINGS OR MACHINERY		SIZE B	DWG NO. 01.026.5PC	REV .
DRAWN BY MS	CHECKED BY MS	DATE 03/22/2002	SCALE 1:2	SHEET 1 OF 1