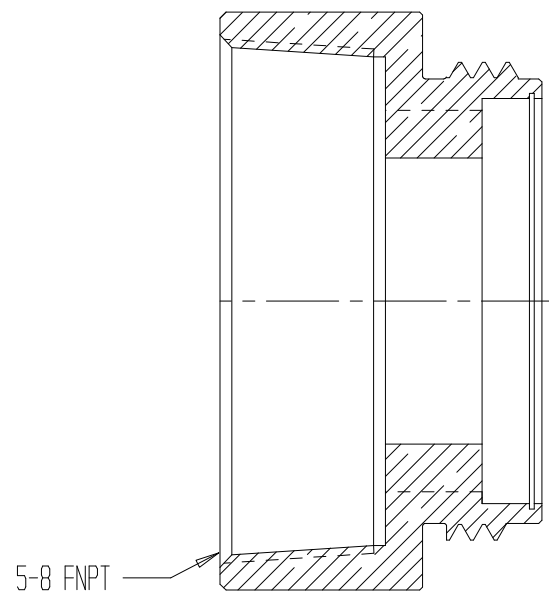
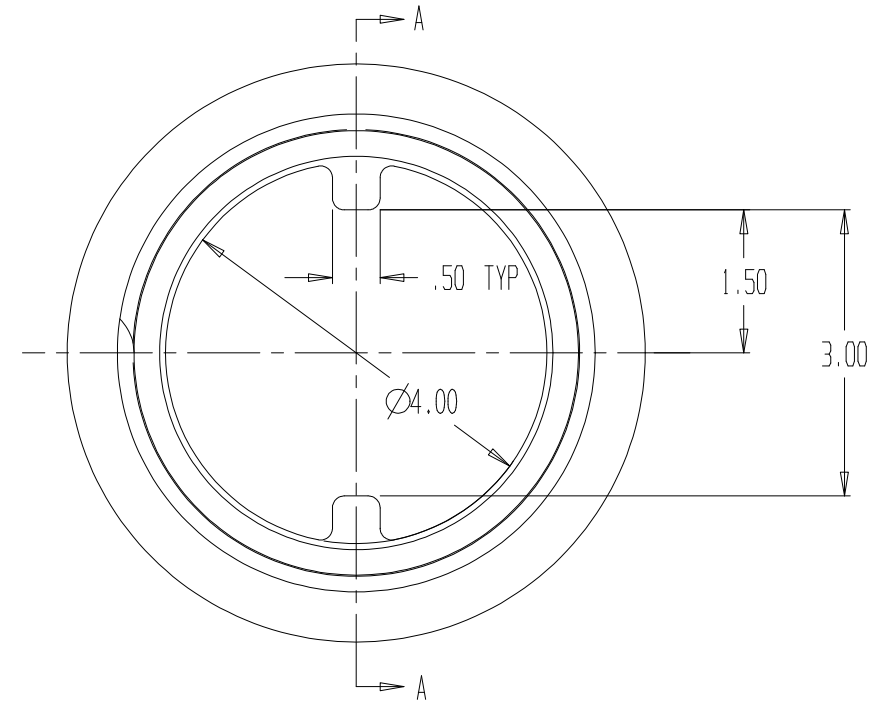
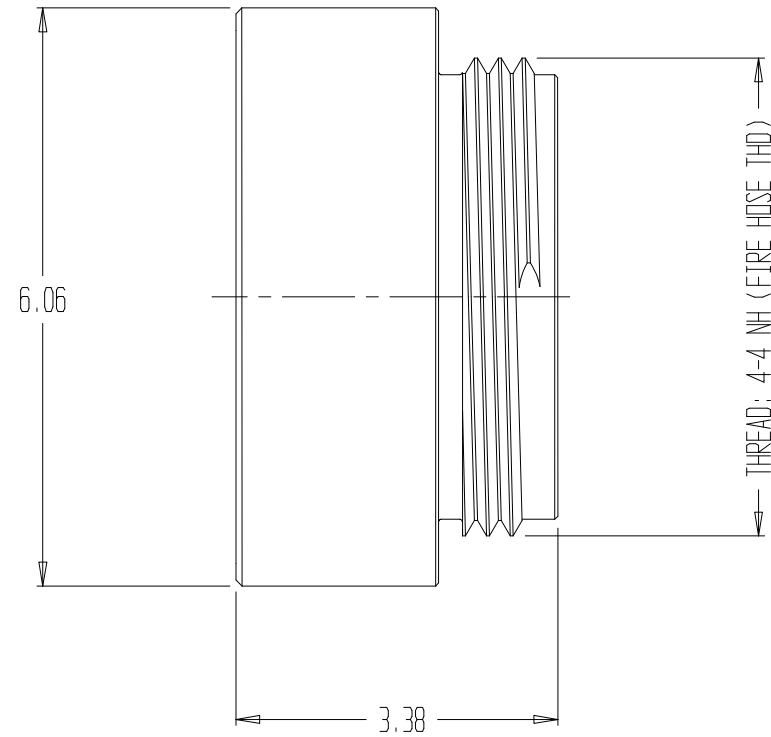



REVISIONS				
REV	DESCRIPTION	DATE	DRAWN BY	APPROVED



SECTION A-A

- NOTES:
- 1) STRAINER INCLUDED, NOT SHOWN.
 - 2) CHROME PLATED
 - 3) MATERIAL: BRASS

 EMERGENCY PRODUCTS, LLC		ADAPTER, 5" FNPT x 4" MNH		
		REPORT ERRORS & CHANGES REMOVE ALL SHARP EDGES UNLESS OTHERWISE SPECIFIED ALL DIMENSIONS ARE IN INCHES	STANDARD TOLERANCES: DECIMALS .XX ± .030 .XXX ± .015 ANGLES ± 1/2°	
COPYRIGHT © DRAWING NOT TO BE REPRODUCED OR USED TO MAKE OTHER DRAWINGS OR MACHINERY		SIZE B	DWG NO. 01.082.5PC	REV .
DRAWN BY MS CHECKED BY MS	DATE 08/15/2002	SCALE 1:2	SHEET 1 OF 1	