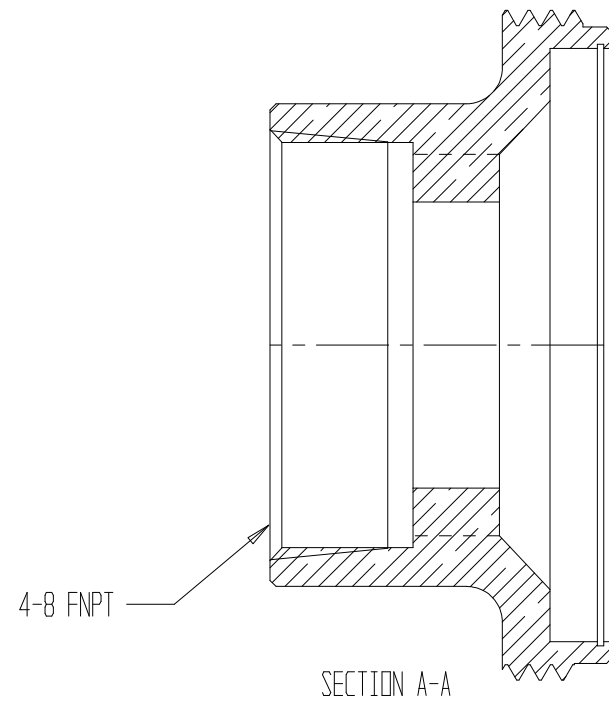
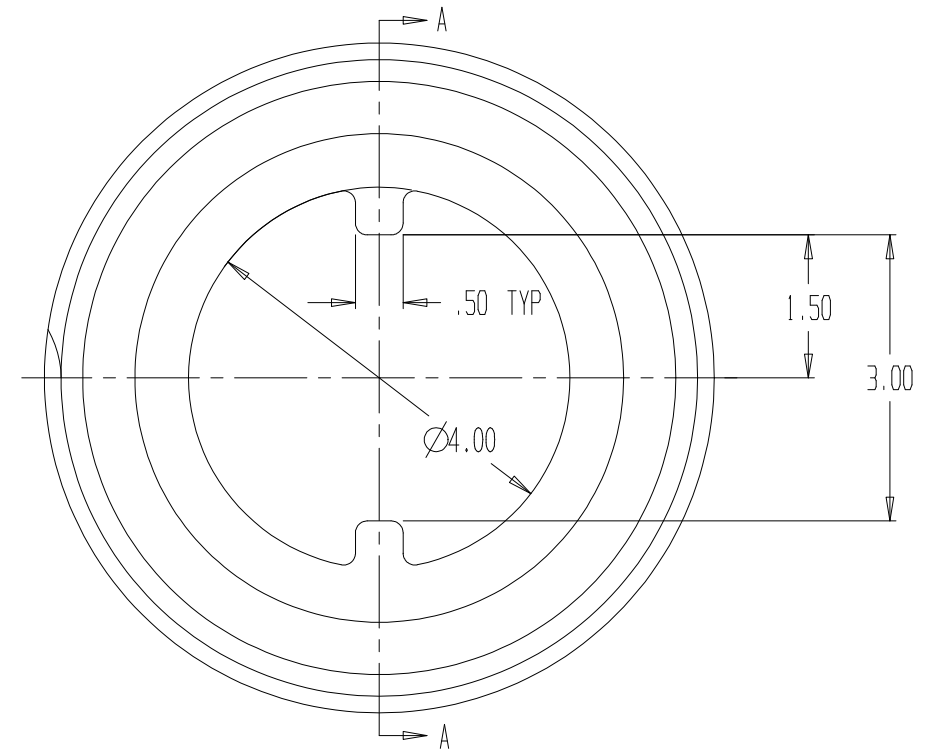
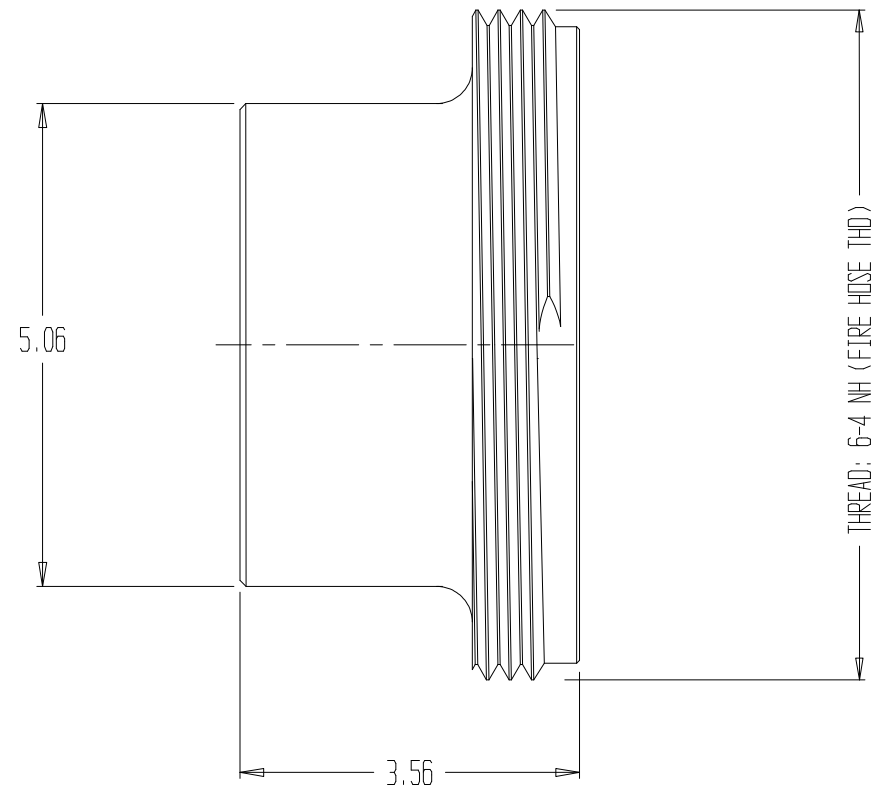


REVISIONS				
REV	DESCRIPTION	DATE	DRAWN BY	APPROVED



- NOTES:
- 1) STRAINER INCLUDED, NOT SHOWN.
  - 2) CHROME PLATED
  - 3) MATERIAL: BRASS

	ADAPTER, 4" FNPT X 6" MNH		
	REPORT ERRORS & CHANGES REMOVE ALL SHARP EDGES UNLESS OTHERWISE SPECIFIED ALL DIMENSIONS ARE IN INCHES	STANDARD TOLERANCES: DECIMALS .XX ± .030 .XXX ± .015	ANGLES ± 1/2°
COPYRIGHT © DRAWING NOT TO BE REPRODUCED OR USED TO MAKE OTHER DRAWINGS OR MACHINERY	SIZE B	DWG NO. 01.034.5PC	REV .
DRAWN BY MS CHECKED BY MS	DATE 04/25/2002	SCALE 1:2	SHEET 1 OF 1