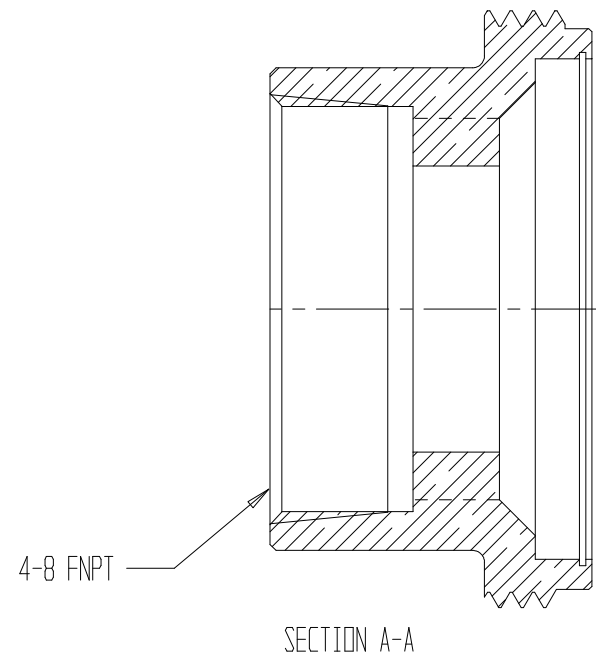
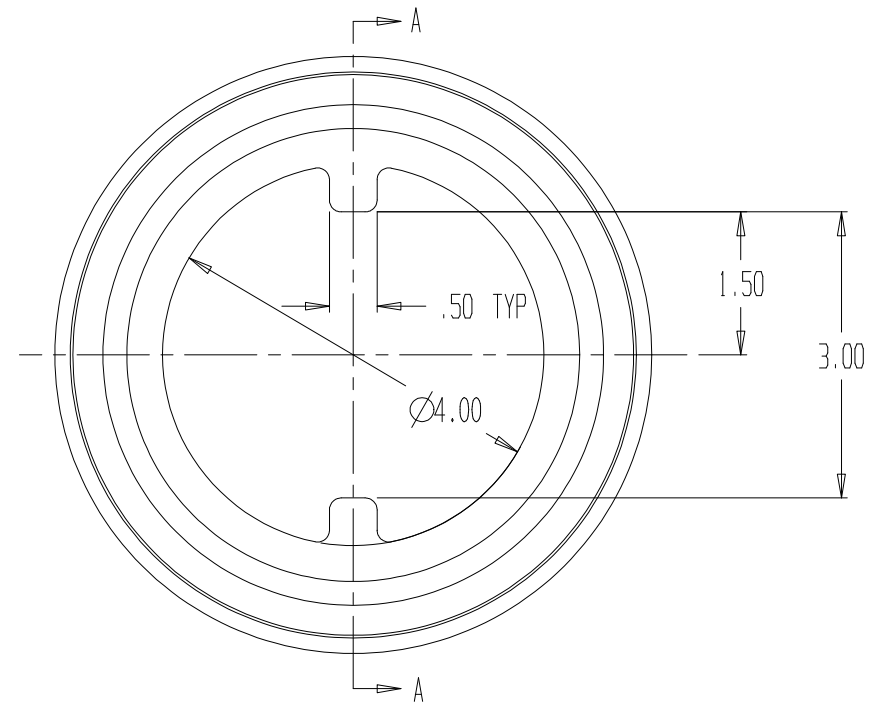
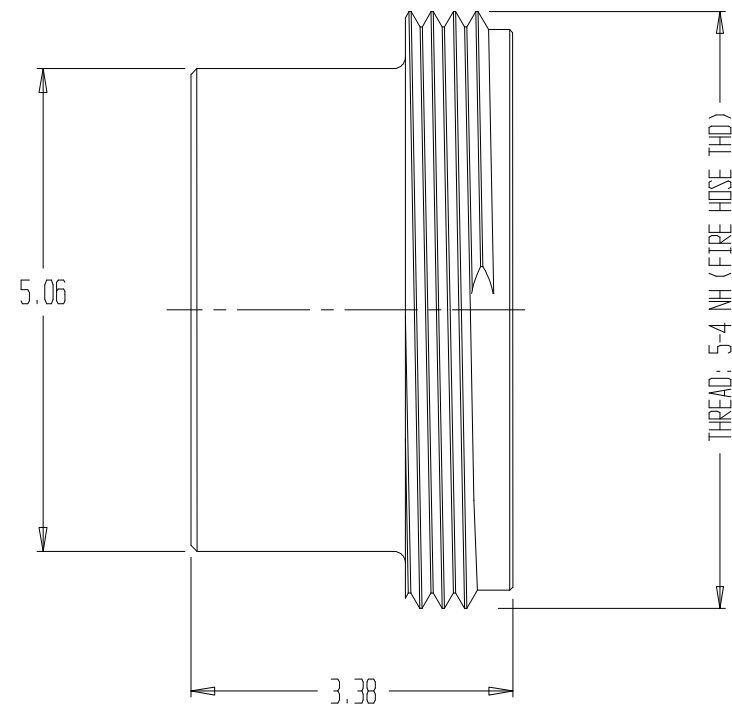


REVISIONS				
REV	DESCRIPTION	DATE	DRAWN BY	APPROVED



NOTES:

- 1) STRAINER INCLUDED, NOT SHOWN
- 2) CHROME PLATED
- 3) MATERIAL: BRASS

		ADAPTER, 4" FNPT X 5" MNH		
		REPORT ERRORS & CHANGES REMOVE ALL SHARP EDGES UNLESS OTHERWISE SPECIFIED ALL DIMENSIONS ARE IN INCHES	STANDARD TOLERANCES: DECIMALS .XX ± .030 .XXX ± .015	ANGLES ± 1/2°
COPYRIGHT © DRAWING NOT TO BE REPRODUCED OR USED TO MAKE OTHER DRAWINGS OR MACHINERY		SIZE B	DWG NO. 01.025.5PC	SHEET 1 OF 1
DRAWN BY MS	CHECKED BY MS	DATE 03/25/2002	SCALE 1:2	SHEET 1 OF 1