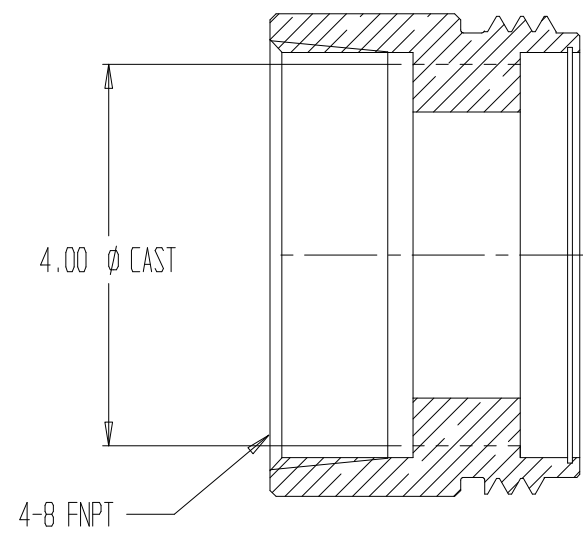
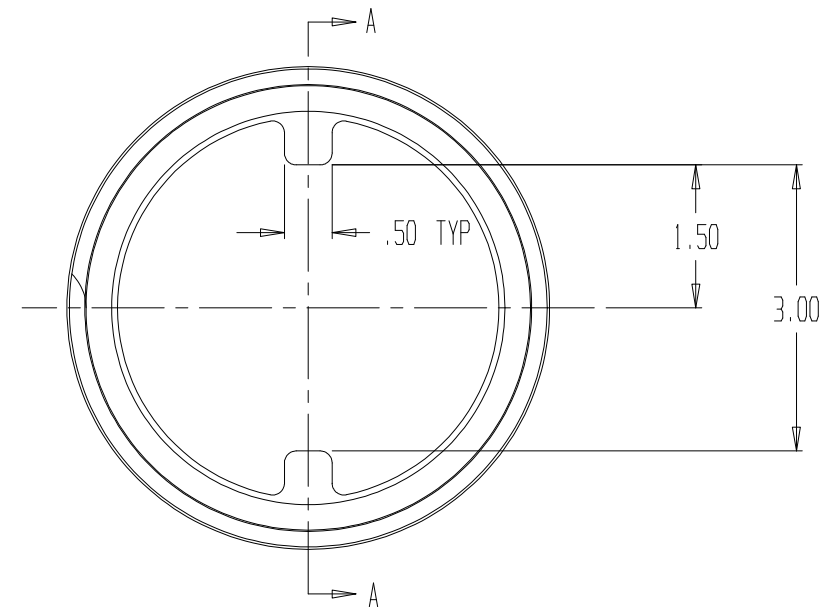
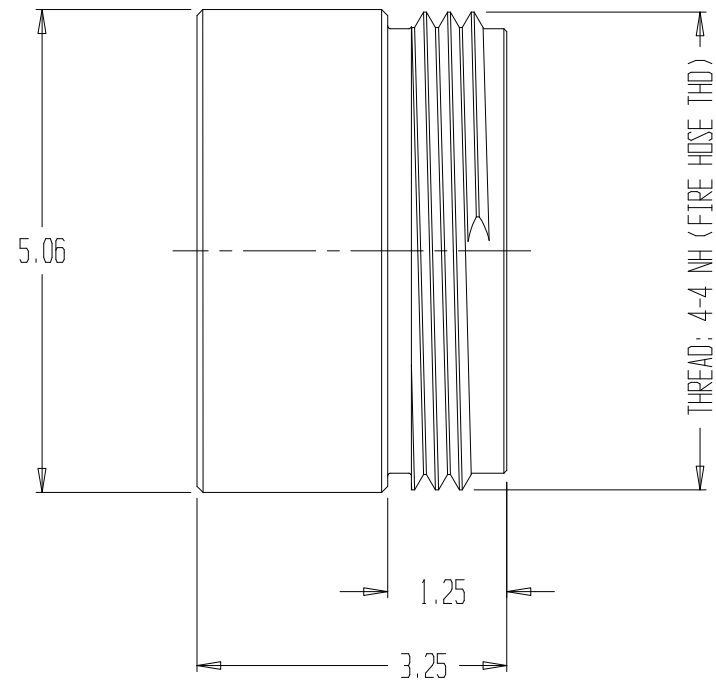



REVISIONS				
REV	DESCRIPTION	DATE	DRAWN BY	APPROVED



SECTION A-A

- NOTES:
 1. MATERIAL - BRASS
 2. CHROME PLATED

 EMERGENCY PRODUCTS, LLC		ADAPTER, 4" FNPT X 4" MNH		
		REPORT ERRORS & CHANGES REMOVE ALL SHARP EDGES UNLESS OTHERWISE SPECIFIED ALL DIMENSIONS ARE IN INCHES	STANDARD TOLERANCES: .XX \pm .030 .XXX \pm .015	ANGLES \pm 1/2°
COPYRIGHT © DRAWING NOT TO BE REPRODUCED OR USED TO MAKE OTHER DRAWINGS OR MACHINERY		SIZE B	DWG NO. 01.024.0PC	REV .
DRAWN BY MS	CHECKED BY MS	DATE 03/26/2002	SCALE 1:2	SHEET 1 OF 1