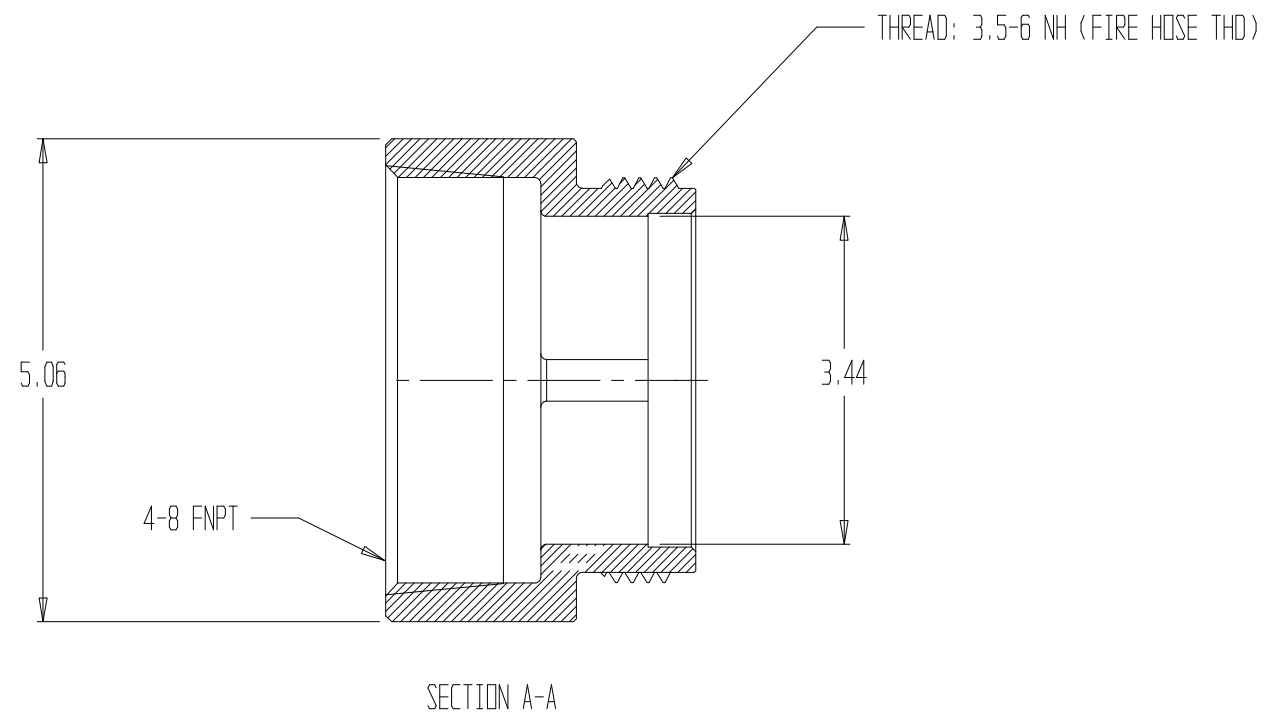
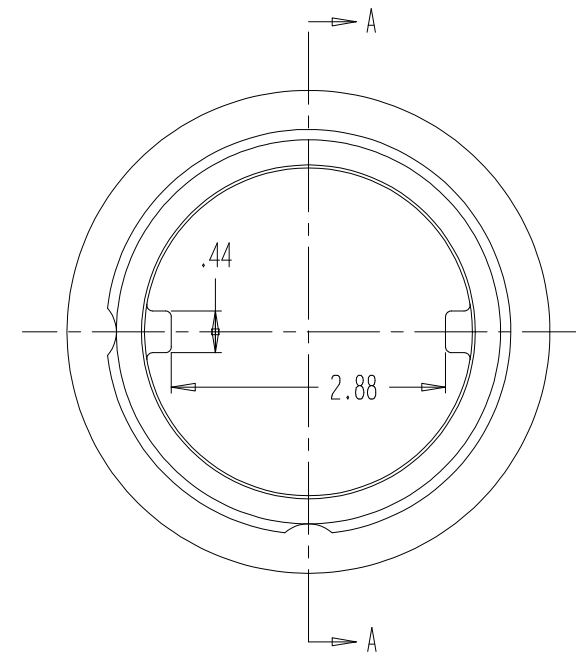
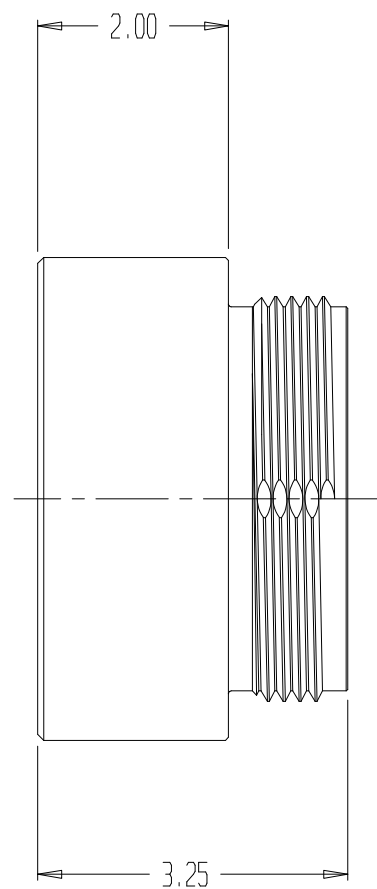



REVISIONS				
REV	DESCRIPTION	DATE	DRAWN BY	APPROVED



NOTES:
 2) CHROME PLATED
 3) MATERIAL: BRASS

 EMERGENCY PRODUCTS, LLC	ADAPTER, 4" FNPT x 3.5" MNH		
	<small>REPORT ERRORS & CHANGES REMOVE ALL SHARP EDGES UNLESS OTHERWISE SPECIFIED ALL DIMENSIONS ARE IN INCHES</small>	<small>STANDARD TOLERANCES:</small> DECIMALS .XX ± .030 .XXX ± .015	<small>ANGLES ± 1/2°</small>
<small>COPYRIGHT © DRAWING NOT TO BE REPRODUCED OR USED TO MAKE OTHER DRAWINGS OR MACHINERY</small>	SIZE B	DWG NO. 01.077.0PC	REV
<small>DRAWN BY MS CHECKED BY MS</small>	DATE 09/13/2002	SCALE 1:2	SHEET 1 OF 1