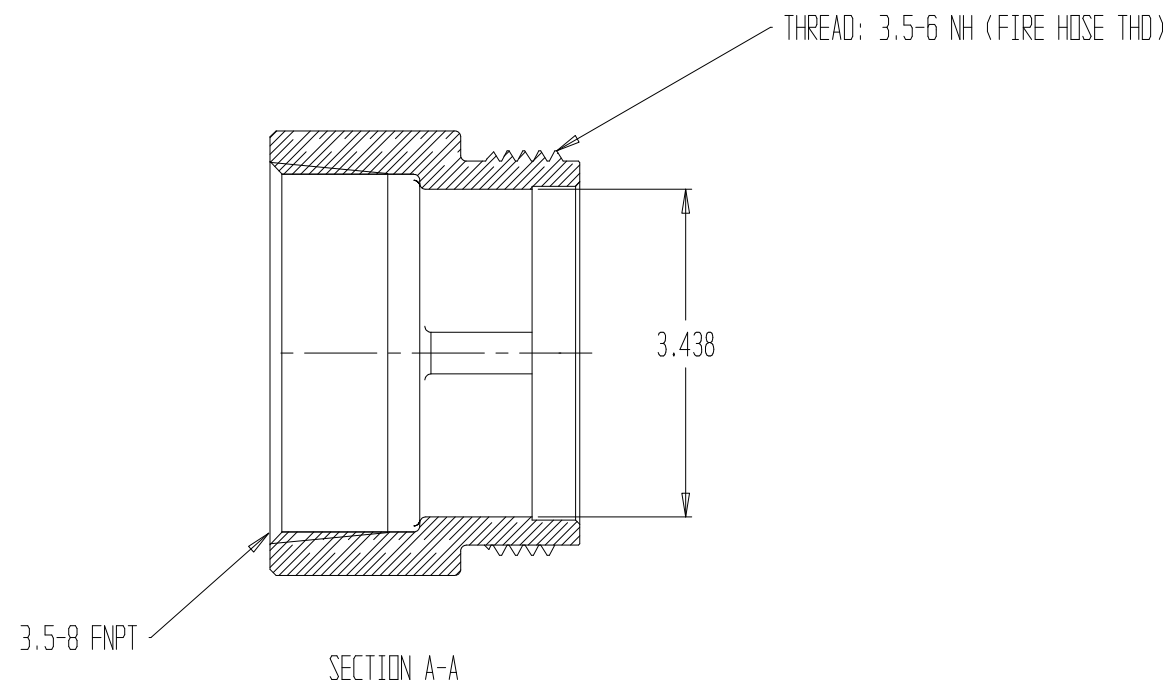
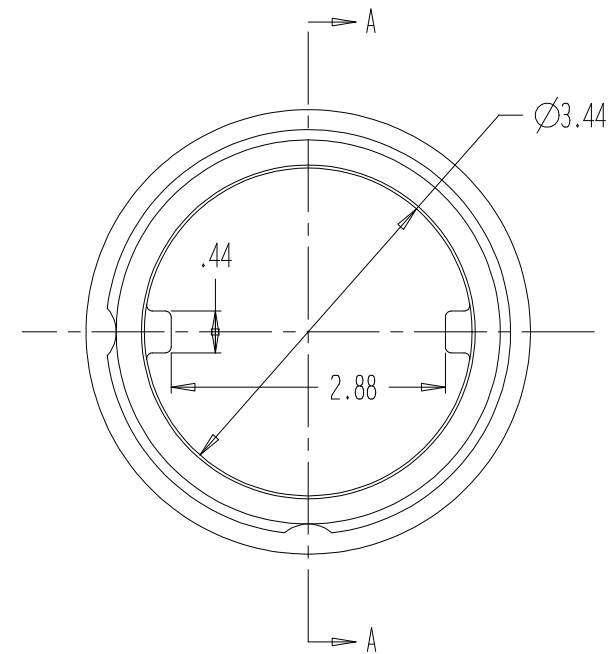
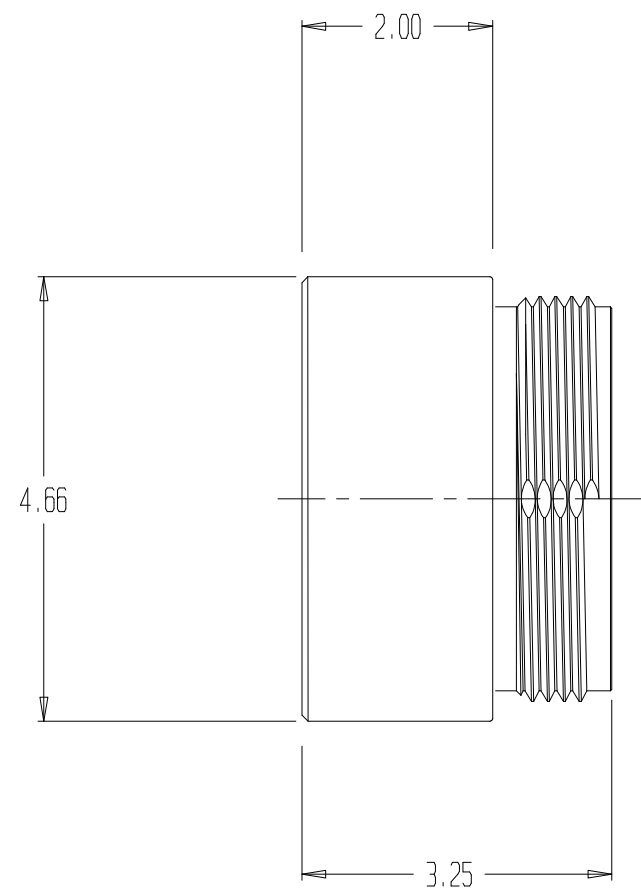


REVISIONS				
REV	DESCRIPTION	DATE	DRAWN BY	APPROVED



NOTES:
 2) CHROME PLATED
 3) MATERIAL: BRASS

	ADAPTER, 3.5FNPT x 3.5MNH		
	REPORT ERRORS & CHANGES REMOVE ALL SHARP EDGES UNLESS OTHERWISE SPECIFIED ALL DIMENSIONS ARE IN INCHES	STANDARD TOLERANCES: DECIMALS .XX ± .030 .XXX ± .015	ANGLES ± 1/2°
COPYRIGHT © DRAWING NOT TO BE REPRODUCED OR USED TO MAKE OTHER DRAWINGS OR MACHINERY	SIZE B	DWG NO. 01.069.0PC	REV A
DRAWN BY MS CHECKED BY MS	DATE 09/13/2002	SCALE 1:2	SHEET 1 OF 1