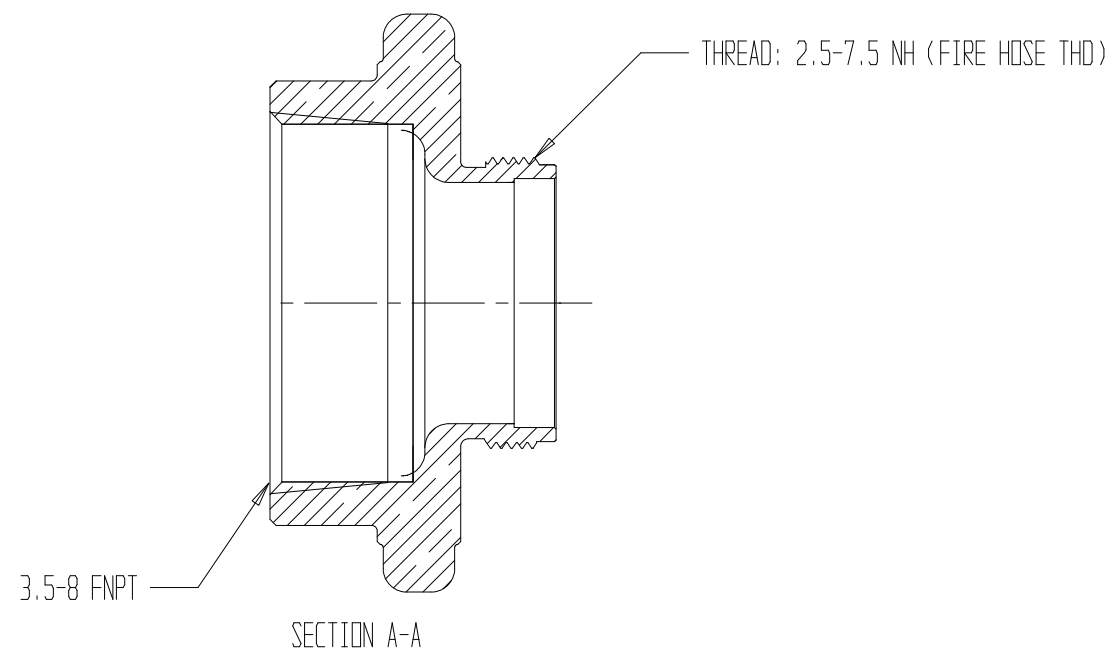
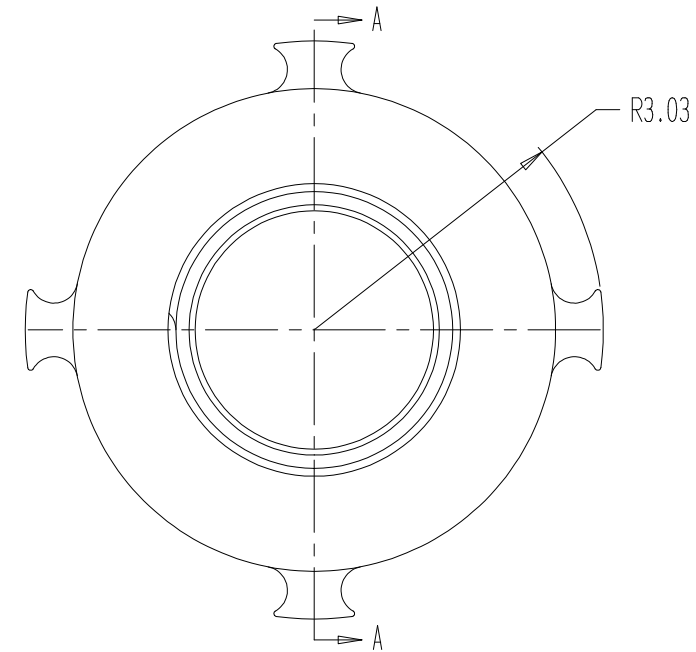
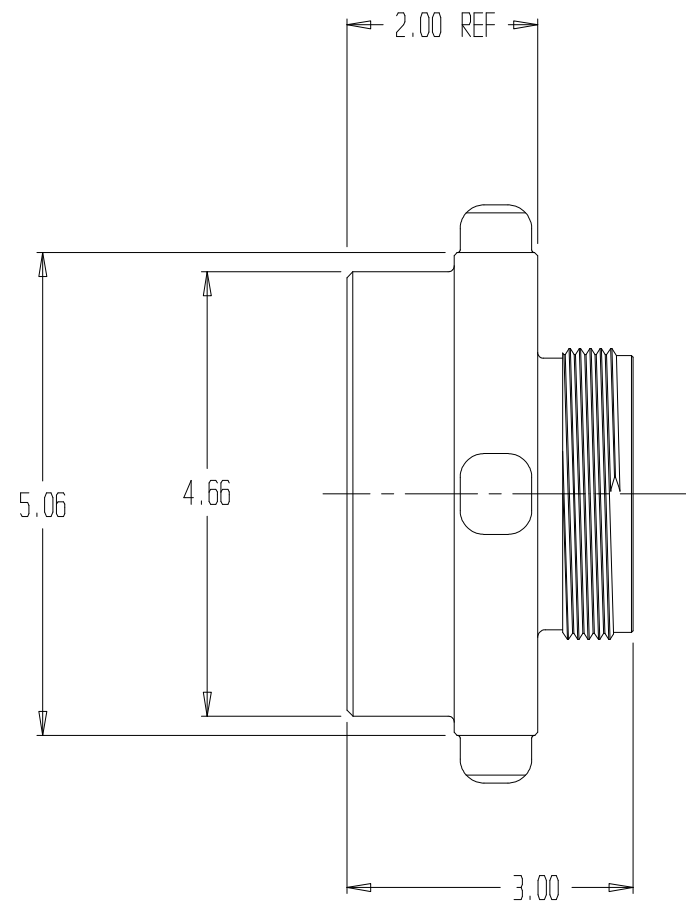


REVISIONS				
REV	DESCRIPTION	DATE	DRAWN BY	APPROVED



- NOTES:
 1) CHROME PLATED
 2) MATERIAL: BRASS
 3) STRAINER INCLUDED, NOT SHOWN

	ADAPTER, 3.5FNPTx2.5MNH		
	REPORT ERRORS & CHANGES REMOVE ALL SHARP EDGES UNLESS OTHERWISE SPECIFIED ALL DIMENSIONS ARE IN INCHES	STANDARD TOLERANCES: DECIMALS .XX ± .030 .XXX ± .015	ANGLES ± 1/2°
COPYRIGHT © DRAWING NOT TO BE REPRODUCED OR USED TO MAKE OTHER DRAWINGS OR MACHINERY	SIZE B	DWG NO. 01.076.5PC	REV
DRAWN BY MS CHECKED BY MS	DATE 09/13/2002	SCALE 1:2	SHEET 1 OF 1