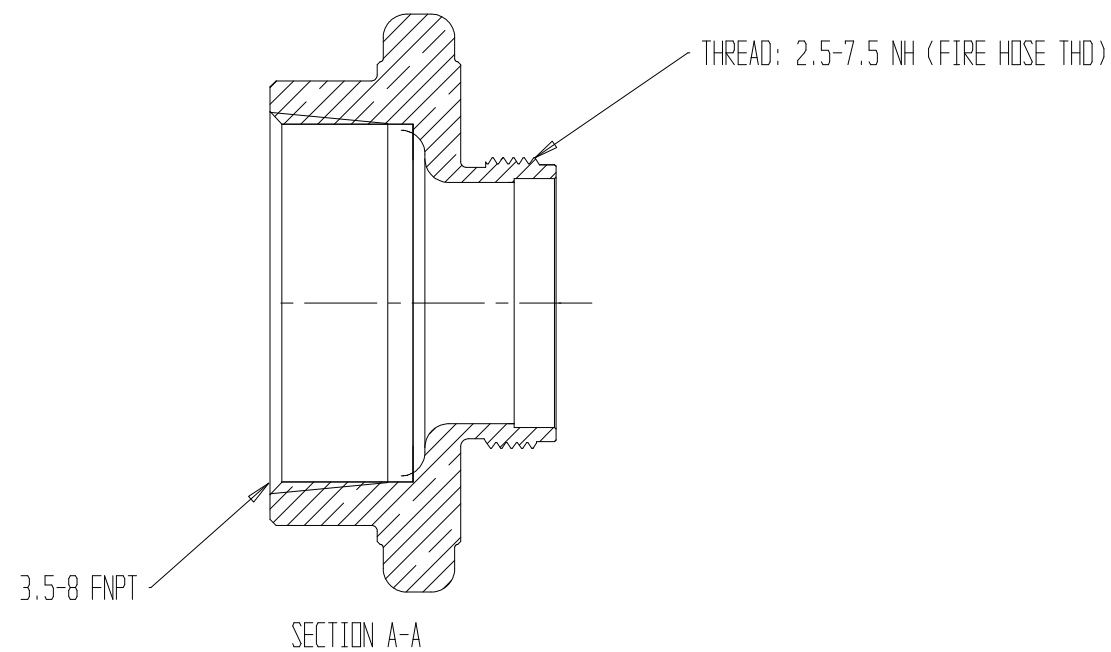
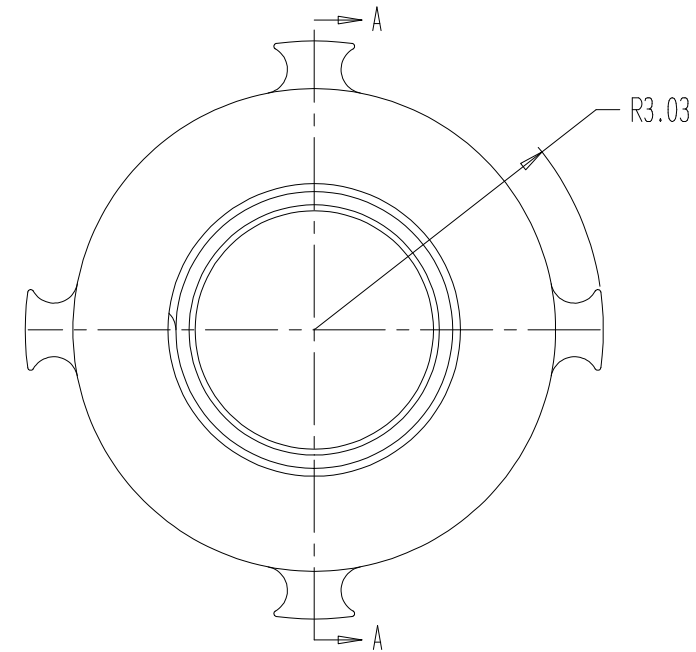
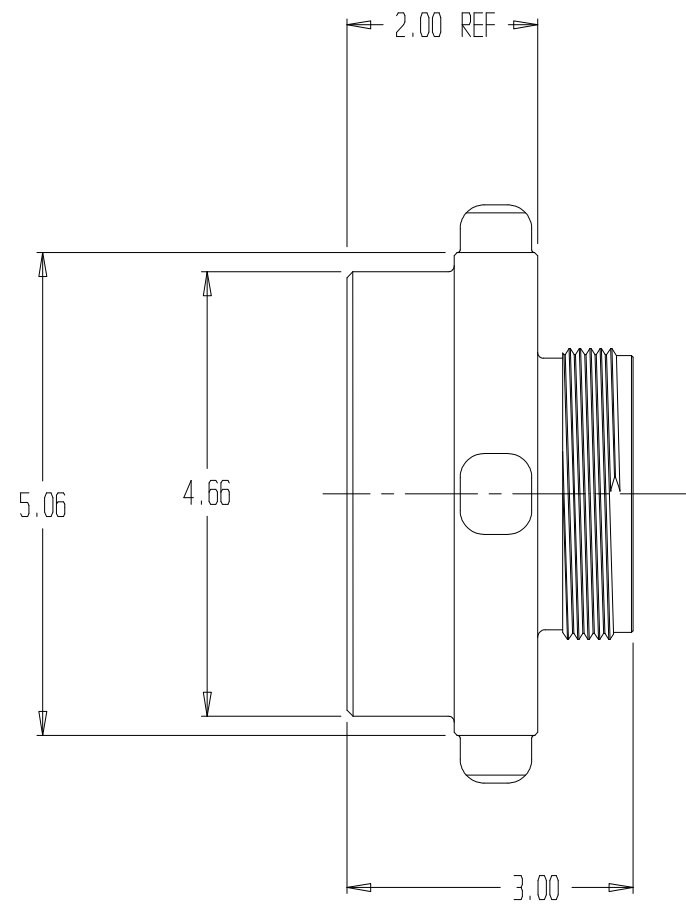


| REVISIONS | | | | |
|-----------|-------------|------|----------|----------|
| REV | DESCRIPTION | DATE | DRAWN BY | APPROVED |
| | | | | |



NOTES:
 2) CHROME PLATED
 3) MATERIAL: BRASS

| | | | |
|--|---|---|------------------|
| | ADAPTER, 3.5FNPTx2.5MNH | | |
| | REPORT ERRORS & CHANGES REMOVE ALL SHARP EDGES UNLESS OTHERWISE SPECIFIED ALL DIMENSIONS ARE IN INCHES | STANDARD TOLERANCES: DECIMALS .XX ± .030 .XXX ± .015 | ANGLES ± 1/2° |
| COPYRIGHT © DRAWING NOT TO BE REPRODUCED OR USED TO MAKE OTHER DRAWINGS OR MACHINERY | SIZE B | DWG NO. 01.076.0PC | REV |
| DRAWN BY MS CHECKED BY MS | DATE 09/13/2002 | SCALE 1:2 | SHEET 1 OF 1 |