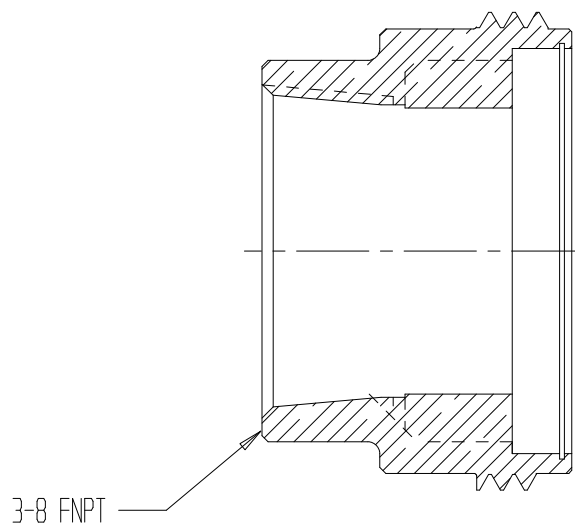
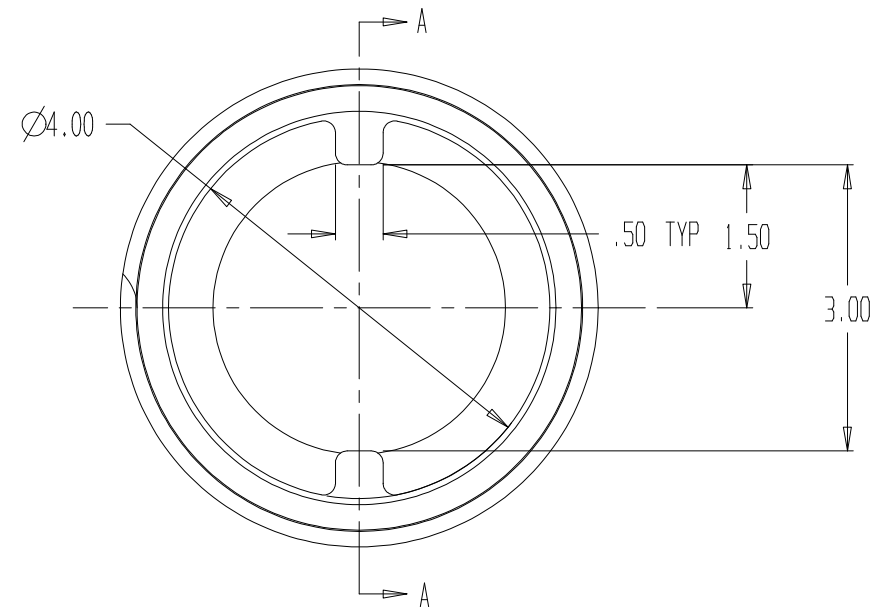
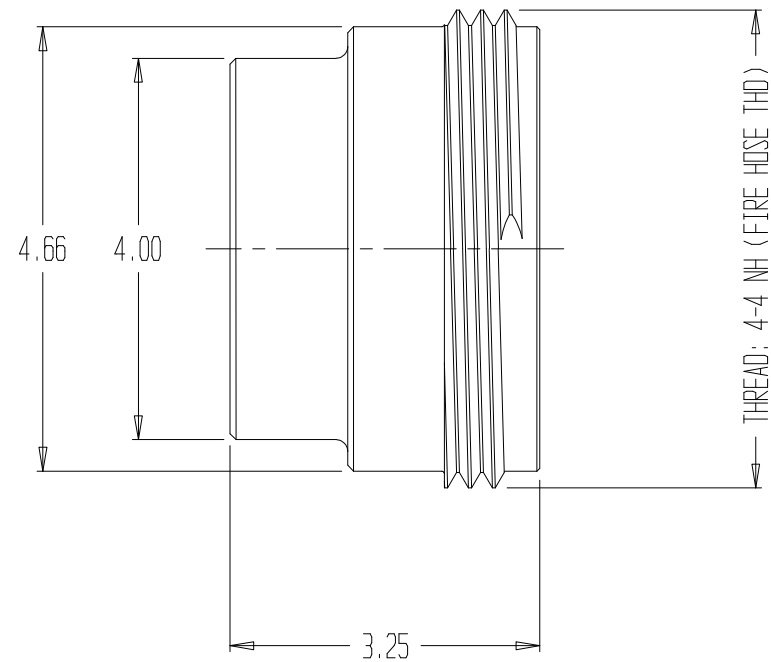


| REVISIONS | | | | |
|-----------|-------------|------|----------|----------|
| REV | DESCRIPTION | DATE | DRAWN BY | APPROVED |
| | | | | |



SECTION A-A

- NOTES:
 1) CHROME PLATED
 2) MATERIAL: BRASS
 3) STRAINER INCLUDED, NOT SHOWN

| | | | | |
|--|------------------|---|---|------------------|
| | | ADAPTER, 3" FNPT x 4" MNH | | |
| | | REPORT ERRORS & CHANGES REMOVE ALL SHARP EDGES UNLESS OTHERWISE SPECIFIED ALL DIMENSIONS ARE IN INCHES | STANDARD TOLERANCES: DECIMALS .XX ± .030 .XXX ± .015 | ANGLES ± 1/2° |
| COPYRIGHT © DRAWING NOT TO BE REPRODUCED OR USED TO MAKE OTHER DRAWINGS OR MACHINERY | | SIZE B | DWG NO. 01.039.5PC | REV . |
| DRAWN BY MS | CHECKED BY MS | DATE 05/23/2002 | SCALE 1:2 | SHEET 1 OF 1 |