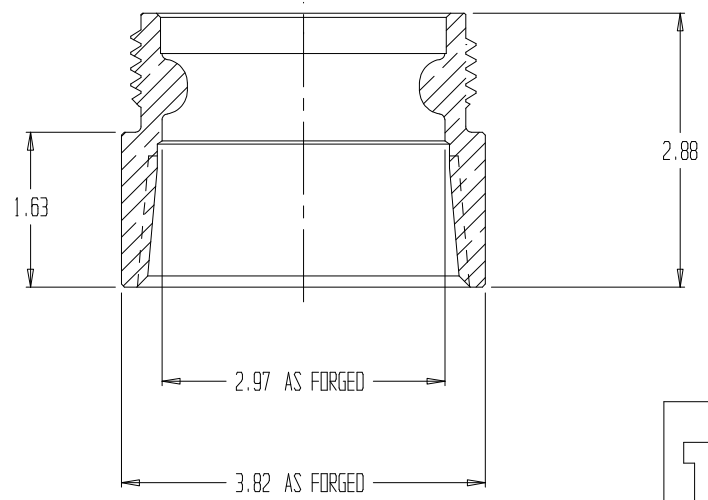


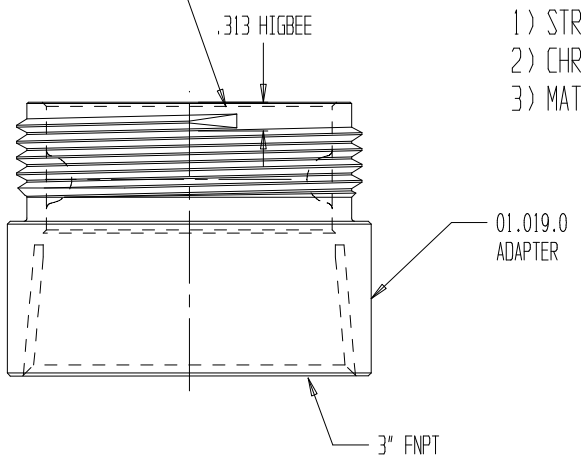
21.001.4
STRAINER

THREAD: 3-6 NH (FIRE HOSE THD)



SECTION A-A

REVISIONS				
REV	DESCRIPTION	DATE	DRAWN BY	APPROVED



- NOTES:
 1) STRAINER INCLUDED
 2) CHROME PLATED
 3) MATERIAL: BRASS



ADAPTER-3" MNHX3" FNPT, PLTD

REPORT ERRORS & CHANGES
 REMOVE ALL SHARP EDGES
 UNLESS OTHERWISE SPECIFIED
 ALL DIMENSIONS ARE IN INCHES

STANDARD TOLERANCES:

DECIMALS	ANGLES
.XX ± .030	± 1/2°
.XXX ± .015	

COPYRIGHT © DRAWING NOT TO BE REPRODUCED OR USED TO MAKE OTHER DRAWINGS OR MACHINERY		SIZE A	DWG NO.	01.019.5PC	REV
DRAWN BY MS	CHECKED BY MS	DATE 02/04/2002	SCALE 1:2	SHEET 1 OF 1	