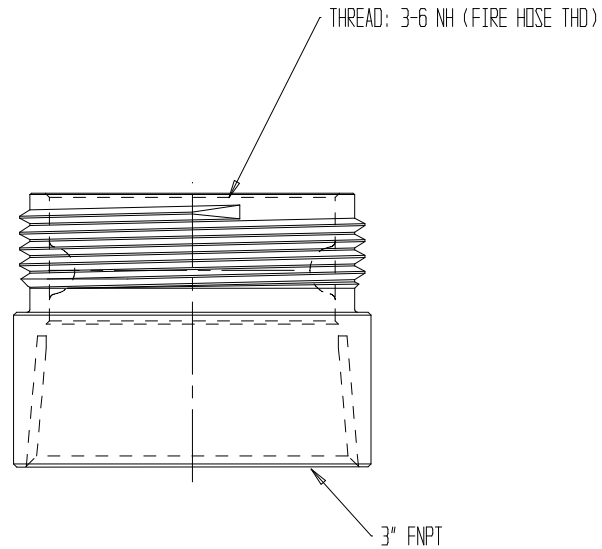


SECTION A-A

REVISIONS				
REV	DESCRIPTION	DATE	DRAWN BY	APPROVED



NOTES:

- 2) CHROME PLATED
- 3) MATERIAL: BRASS



ADAPTER-3" MNHX3" FNPT, PLTD

REPORT ERRORS & CHANGES
 REMOVE ALL SHARP EDGES
 UNLESS OTHERWISE SPECIFIED
 ALL DIMENSIONS ARE IN INCHES

STANDARD TOLERANCES:

DECIMALS	ANGLES
.XX ± .030	± 1/2°
.XXX ± .015	

COPYRIGHT ©
 DRAWING NOT TO BE REPRODUCED OR USED TO
 MAKE OTHER DRAWINGS OR MACHINERY

DRAWN BY	MS	DATE 02/04/2002
CHECKED BY	MS	

SIZE A	DWG NO. 01.019.0PC	REV
SCALE 1:2	SHEET 1 OF 1	