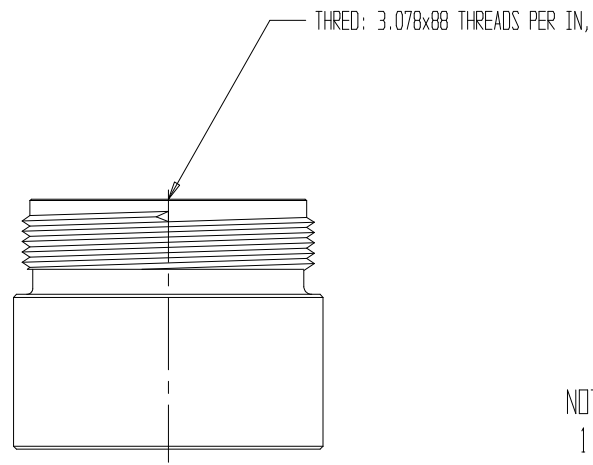
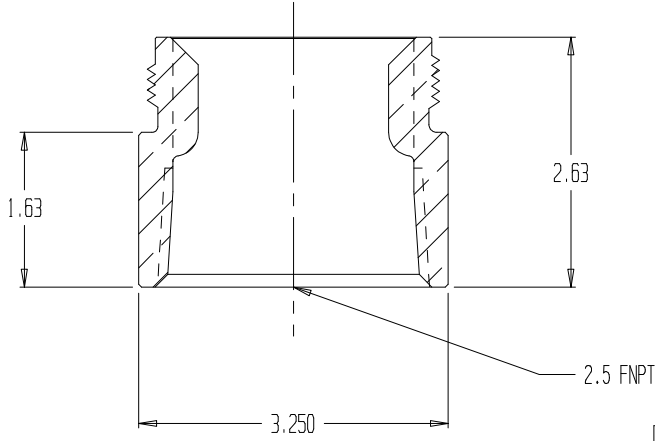


REVISIONS				
REV	DESCRIPTION	DATE	DRAWN BY	APPROVED
.	.	.	.	.
.	.	.	.	.



NOTES:  
 1) MATERIAL: BRASS  
 3) CHROME PLATED

SECTION A-A



ADAPTER-3.078 X 8 TPI M X 2.5FNPT

REPORT ERRORS & CHANGES  
 REMOVE ALL SHARP EDGES  
 UNLESS OTHERWISE SPECIFIED  
 ALL DIMENSIONS ARE IN INCHES

STANDARD TOLERANCES:

DECIMALS	ANGLES
.XX ± .030	± 1/2°
.XXX ± .015	

DRAWING NOT TO BE REPRODUCED OR USED TO MAKE OTHER DRAWINGS OR MACHINERY		COPYRIGHT ©	SIZE A	DWG NO.	01.S01.12PC	REV
DRAWN BY	MS	DATE	06/11/2007	SCALE	1:2	SHEET 1 OF 1
CHECKED BY	MS					