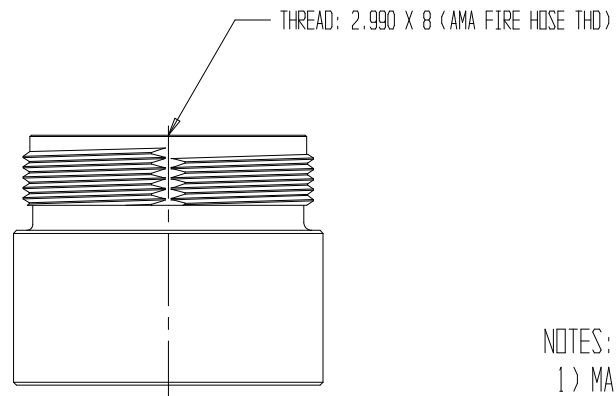


SECTION A-A

REVISIONS				
REV	DESCRIPTION	DATE	DRAWN BY	APPROVED
.
.



- NOTES:
 1) MATERIAL: BRASS
 3) CHROME PLATED



ADAPTER-2.990 X 8 TPI M X 2.5FNPT

REPORT ERRORS & CHANGES
 REMOVE ALL SHARP EDGES
 UNLESS OTHERWISE SPECIFIED
 ALL DIMENSIONS ARE IN INCHES

STANDARD TOLERANCES:
 DECIMALS .XX ± .030
 .XXX ± .015
 ANGLES ± 1/2°

COPYRIGHT ©
 DRAWING NOT TO BE REPRODUCED OR USED TO
 MAKE OTHER DRAWINGS OR MACHINERY

DRAWN BY	MS	DATE 06/10/2010
CHECKED BY	MS	

SIZE	A
SCALE	1:2

DWG NO.	01.S01.17PC
SHEET 1 OF 1	

REV	.
-----	---