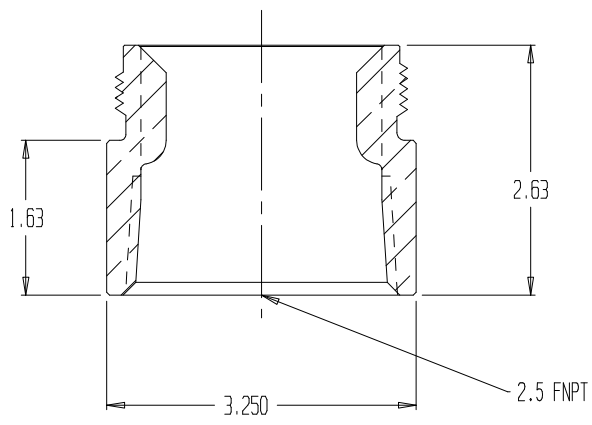
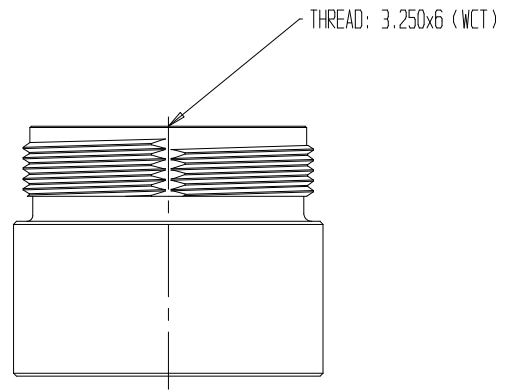


| REVISIONS |             |      |          |          |
|-----------|-------------|------|----------|----------|
| REV       | DESCRIPTION | DATE | DRAWN BY | APPROVED |
| .         | .           | .    | .        | .        |
| .         | .           | .    | .        | .        |



SECTION A-A



- NOTES:  
 1) MATERIAL: BRASS  
 3) CHROME PLATED



ADAPTER-3.25 X 6 TPI M X 2.5FNPT

REPORT ERRORS & CHANGES  
 REMOVE ALL SHARP EDGES  
 UNLESS OTHERWISE SPECIFIED  
 ALL DIMENSIONS ARE IN INCHES

STANDARD TOLERANCES:

|             |        |
|-------------|--------|
| DECIMALS    | ANGLES |
| .XX ± .030  | ± 1/2° |
| .XXX ± .015 |        |

|  |    |             |            |              |             |     |
|--|----|-------------|------------|--------------|-------------|-----|
| DRAWING NOT TO BE REPRODUCED OR USED TO MAKE OTHER DRAWINGS OR MACHINERY |    | COPYRIGHT © |            | SIZE         | DWG NO.     | REV |
| DRAWN BY   | MS | DATE        | 05/27/2010 | A            | 01.S01.22PC | .   |
| CHECKED BY   | MS | SCALE 1:2   |            | SHEET 1 OF 1 |             |     |