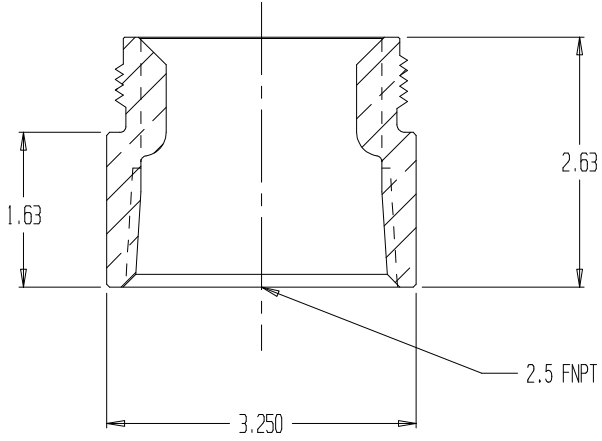
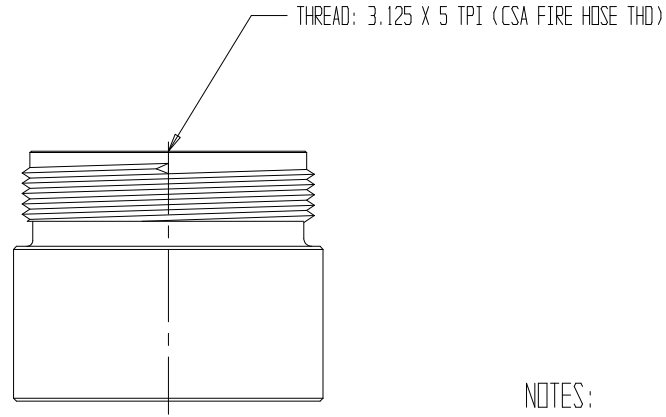


REVISIONS				
REV	DESCRIPTION	DATE	DRAWN BY	APPROVED
.
.



SECTION A-A



NOTES:
1) MATERIAL: BRASS



ADAPTER-3.125x5TPI M X 2.5FNPT

REPORT ERRORS & CHANGES
REMOVE ALL SHARP EDGES
UNLESS OTHERWISE SPECIFIED
ALL DIMENSIONS ARE IN INCHES

STANDARD TOLERANCES:

DECIMALS	ANGLES
.XX ± .030	± 1/2°
.XXX ± .015	

DRAWING NOT TO BE REPRODUCED OR USED TO MAKE OTHER DRAWINGS OR MACHINERY		COPYRIGHT ©	SIZE	DWG NO.	REV
DRAWN BY	001	DATE 01/03/2005	A	01.S01.16PC	.
CHECKED BY	001	SCALE 1:2	SHEET 1 OF 1		