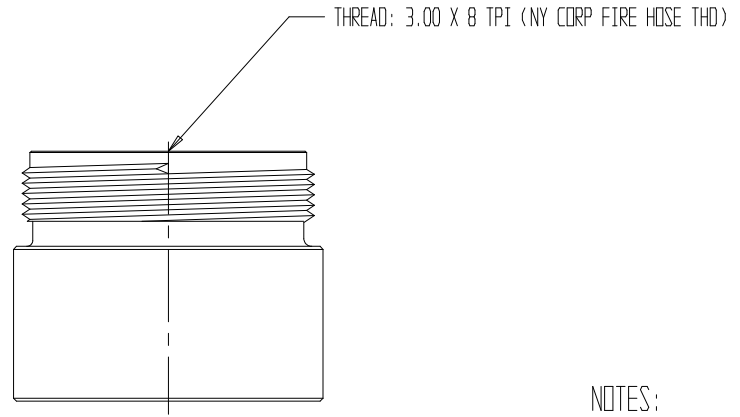
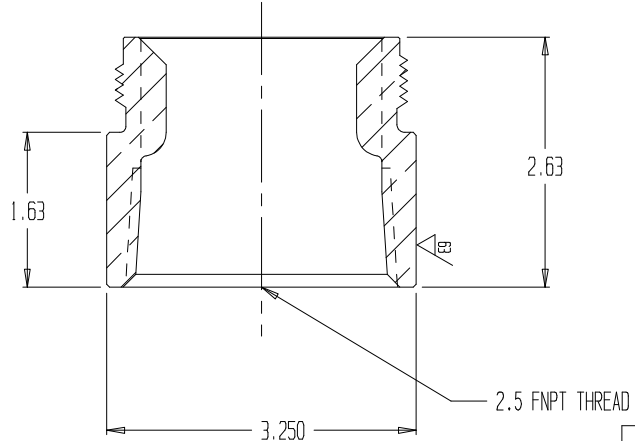


REVISIONS				
REV	DESCRIPTION	DATE	DRAWN BY	APPROVED
.	.	.	.	.
.	.	.	.	.



NOTES:  
1) MATERIAL: BRASS

SECTION A-A



ADAPTER-3.00x8TPI M X 2.5FNPT

REPORT ERRORS & CHANGES  
REMOVE ALL SHARP EDGES  
UNLESS OTHERWISE SPECIFIED  
ALL DIMENSIONS ARE IN INCHES

STANDARD TOLERANCES:

DECIMALS	ANGLES
.XX ± .030	± 1/2°
.XXX ± .015	

DRAWING NOT TO BE REPRODUCED OR USED TO MAKE OTHER DRAWINGS OR MACHINERY		COPYRIGHT ©	SIZE .	DWG NO.	01.S01.2PC	REV .
DRAWN BY	001	DATE	08/24/2004	SCALE	1:2	SHEET 1 OF 1
CHECKED BY	001					