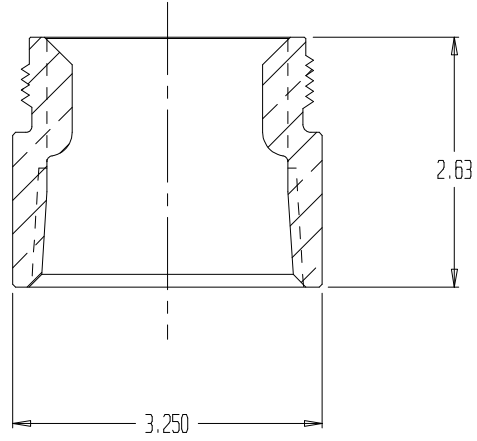
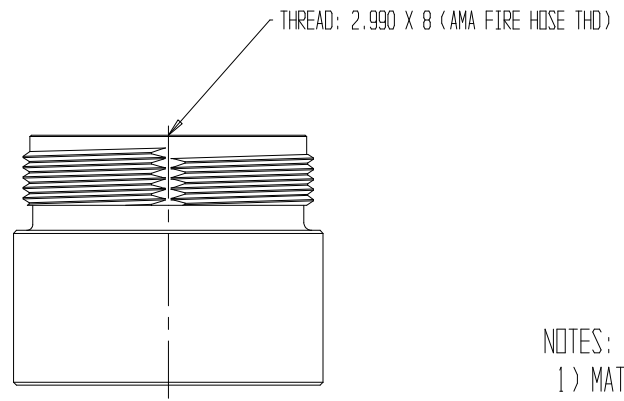


REVISIONS				
REV	DESCRIPTION	DATE	DRAWN BY	APPROVED
.
.



SECTION A-A



NOTES:
1) MATERIAL: BRASS



ADAPTER-2.990 X 8 TPI M X 2.5FNPT

REPORT ERRORS & CHANGES
REMOVE ALL SHARP EDGES
UNLESS OTHERWISE SPECIFIED
ALL DIMENSIONS ARE IN INCHES

STANDARD TOLERANCES:

DECIMALS	ANGLES
.XX ± .030	± 1/2°
.XXX ± .015	

DRAWING NOT TO BE REPRODUCED OR USED TO MAKE OTHER DRAWINGS OR MACHINERY		COPYRIGHT ©		SIZE	DWG NO.	REV
DRAWN BY MS		DATE 06/10/2010		A	01.S01.08PC	.
CHECKED BY MS		SCALE 1:2		SHEET 1 OF 1		