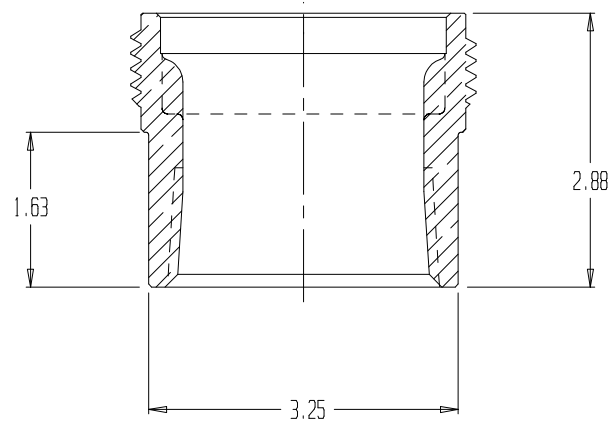
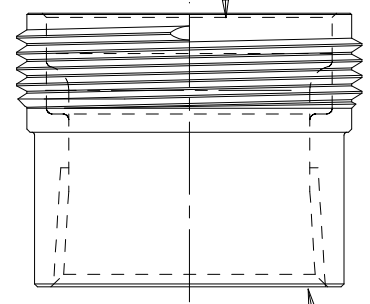


REVISIONS				
REV	DESCRIPTION	DATE	DRAWN BY	APPROVED



SECTION A-A

THREAD: 3-6 NH (FIRE HOSE THD)



2.5" FNPT

- NOTES:  
 2) CHROME PLATED  
 3) MATERIAL: BRASS



ADAPTER-2.5FNPTx3MNH, PLTD

REPORT ERRORS & CHANGES  
 REMOVE ALL SHARP EDGES  
 UNLESS OTHERWISE SPECIFIED  
 ALL DIMENSIONS ARE IN INCHES

STANDARD TOLERANCES:

DECIMALS	ANGLES
.XX ± .030	± 1/2°
.XXX ± .015	

DRAWING NOT TO BE REPRODUCED OR USED TO MAKE OTHER DRAWINGS OR MACHINERY		COPYRIGHT ©		SIZE	DWG NO.	REV
DRAWN BY MS		DATE 03/03/2003		A	01.075.0PC	.
CHECKED BY MS		SCALE 1:2		SHEET 1 OF 1		