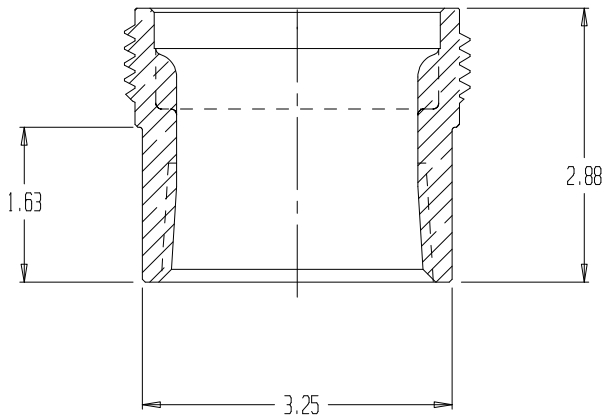
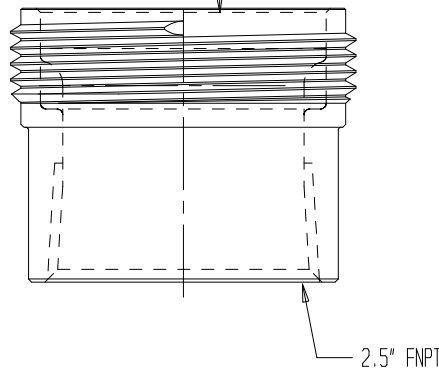


REVISIONS				
REV	DESCRIPTION	DATE	DRAWN BY	APPROVED



SECTION A-A

THREAD: 3-6 NH (FIRE HOSE THD)



- NOTES:  
 2) CHROME PLATED  
 3) MATERIAL: BRASS



ADAPTER-2.5FNPTx3MNH, PLTD

REPORT ERRORS & CHANGES  
 REMOVE ALL SHARP EDGES  
 UNLESS OTHERWISE SPECIFIED  
 ALL DIMENSIONS ARE IN INCHES

STANDARD TOLERANCES:  
 DECIMALS .XX ± .030  
 .XXX ± .015  
 ANGLES ± 1/2°

COPYRIGHT ©  
 DRAWING NOT TO BE REPRODUCED OR USED TO  
 MAKE OTHER DRAWINGS OR MACHINERY

DRAWN BY	MS	DATE	03/03/2003
CHECKED BY	MS		

SIZE	A	DWG NO.	01.075.0PC	REV	.
SCALE	1:2	SHEET 1 OF 1			