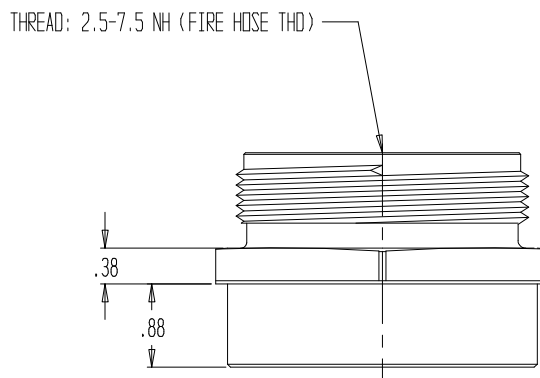
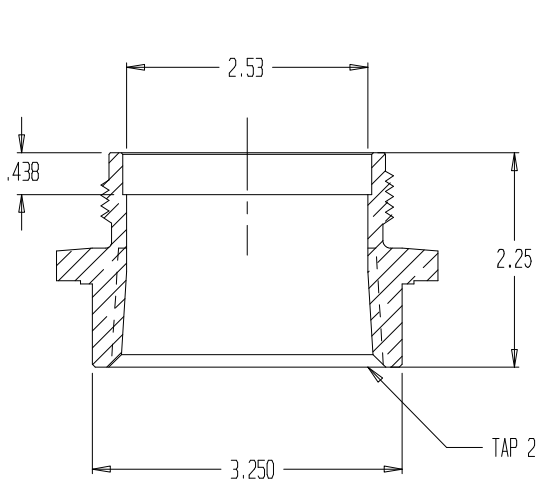


REVISIONS				
REV	DESCRIPTION	DATE	DRAWN BY	APPROVED
.
.



NOTES:
 1) MATERIAL: BRASS
 3) CHROME PLATED

SECTION A-A



ADAPTER-2.5MNST X 2.5FNPT

REPORT ERRORS & CHANGES
 REMOVE ALL SHARP EDGES
 UNLESS OTHERWISE SPECIFIED
 ALL DIMENSIONS ARE IN INCHES

STANDARD TOLERANCES:
 DECIMALS .XX ± .030
 .XXX ± .015
 ANGLES ± 1/2°

COPYRIGHT ©
 DRAWING NOT TO BE REPRODUCED OR USED TO
 MAKE OTHER DRAWINGS OR MACHINERY

DRAWN BY	MS	DATE	11/22/2004
CHECKED BY	MS		

SIZE	A	DWG NO.	01.001.7PC	REV	.
SCALE	1:2	SHEET 1 OF 1			