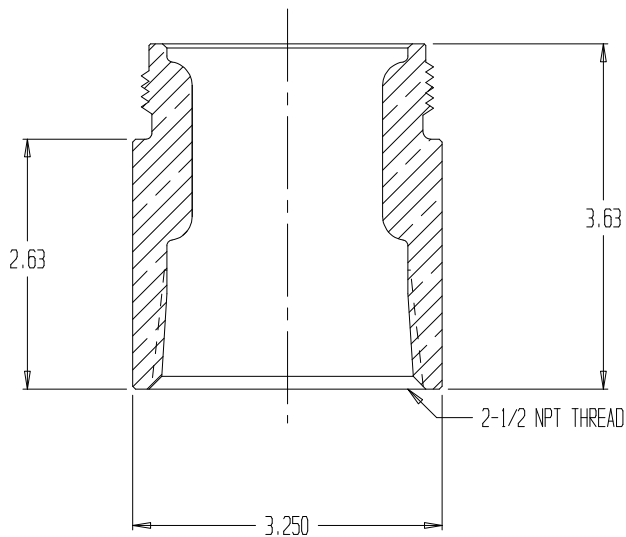
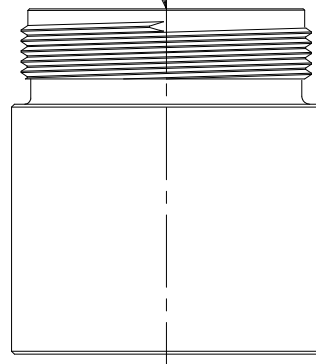


REVISIONS				
REV	DESCRIPTION	DATE	DRAWN BY	APPROVED

THREAD: 2.5-7.5 NH (FIRE HOSE THD)



SECTION A-A



NOTES:  
 1) MATERIAL: BRASS  
 3) CHROME PLATED



ADAPTER-2.5MNHx2.5FNPTx3.63LG

REPORT ERRORS & CHANGES  
 REMOVE ALL SHARP EDGES  
 UNLESS OTHERWISE SPECIFIED  
 ALL DIMENSIONS ARE IN INCHES

STANDARD TOLERANCES:  
 DECIMALS .XX ± .030  
 .XXX ± .015  
 ANGLES ± 1/2°

COPYRIGHT ©  
 DRAWING NOT TO BE REPRODUCED OR USED TO  
 MAKE OTHER DRAWINGS OR MACHINERY

DRAWN BY	MS	DATE 05/16/2001
CHECKED BY	MS	

SIZE A	DWG NO. 01.001.2PC	REV B
SCALE 1:2	SHEET 1 OF 1	