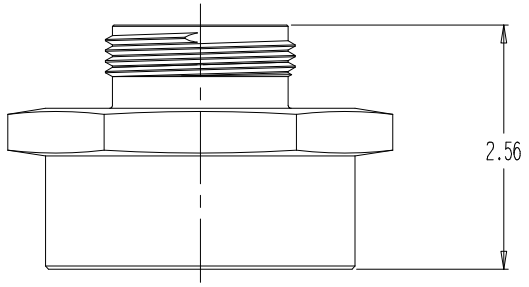
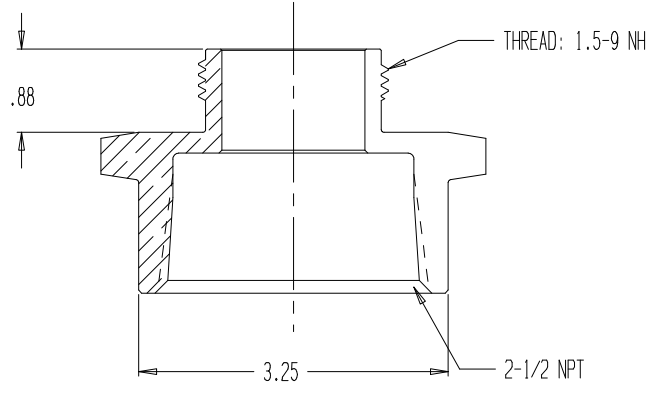
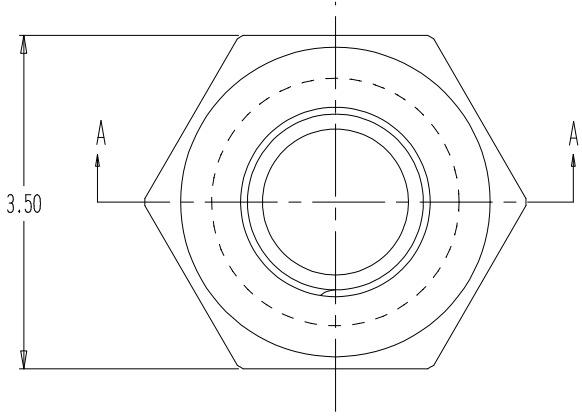


REVISIONS				
REV	DESCRIPTION	DATE	DRAWN BY	APPROVED



SECTION A-A

- NOTES:
- 1) MATERIAL: BRASS
  - 2) CHROME PLATED
  - 3) STRAINER INCLUDED, NOT SHOWN



ADAPTER-2.5FNPT X 1.5MNH

REPORT ERRORS & CHANGES  
 REMOVE ALL SHARP EDGES  
 UNLESS OTHERWISE SPECIFIED  
 ALL DIMENSIONS ARE IN INCHES

STANDARD TOLERANCES:

DECIMALS	ANGLES
.XX ± .030	± 1/2°
.XXX ± .015	

DRAWING NOT TO BE REPRODUCED OR USED TO MAKE OTHER DRAWINGS OR MACHINERY		COPYRIGHT ©	SIZE	DWG NO.	REV
DRAWN BY	MS	DATE 04/01/2003	A	01.074.5PC	.
CHECKED BY	MS	SCALE 1:2	SHEET 1 OF 1		