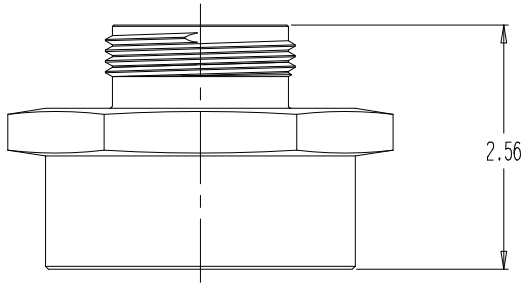
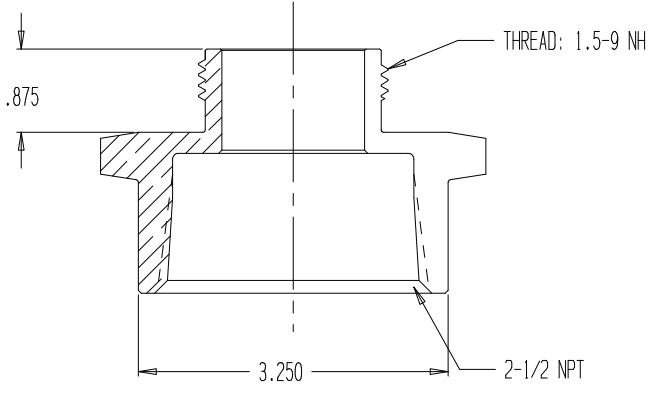
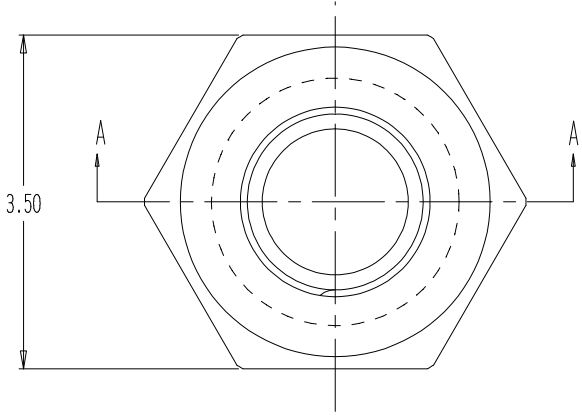


REVISIONS				
REV	DESCRIPTION	DATE	DRAWN BY	APPROVED



SECTION A-A

- NOTES:
 1) MATERIAL: BRASS
 3) CHROME PLATED



ADAPTER-2.5FNPT X 1.5MNH

REPORT ERRORS & CHANGES
 REMOVE ALL SHARP EDGES
 UNLESS OTHERWISE SPECIFIED
 ALL DIMENSIONS ARE IN INCHES

STANDARD TOLERANCES:

DECIMALS	ANGLES
.XX ± .030	± 1/2°
.XXX ± .015	

DRAWING NOT TO BE REPRODUCED OR USED TO MAKE OTHER DRAWINGS OR MACHINERY		COPYRIGHT ©	SIZE A	DWG NO.	01.074.0PC	REV
DRAWN BY	MS	DATE	04/01/2003	SCALE	1:2	SHEET 1 OF 1
CHECKED BY	MS					